

Fig.9 Switching Time Measurement Circuit

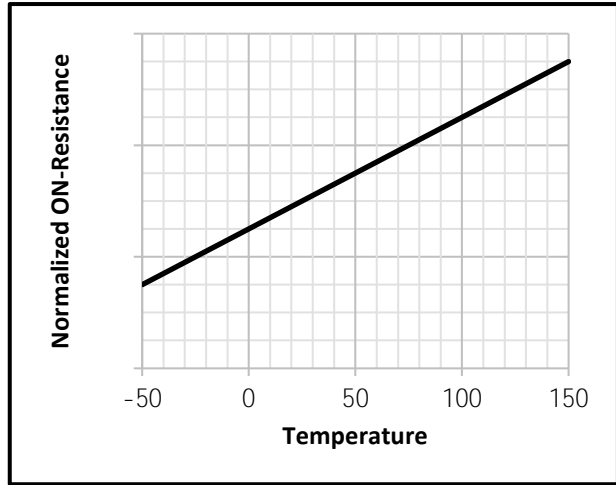


Fig.10 Gate Charge Waveform

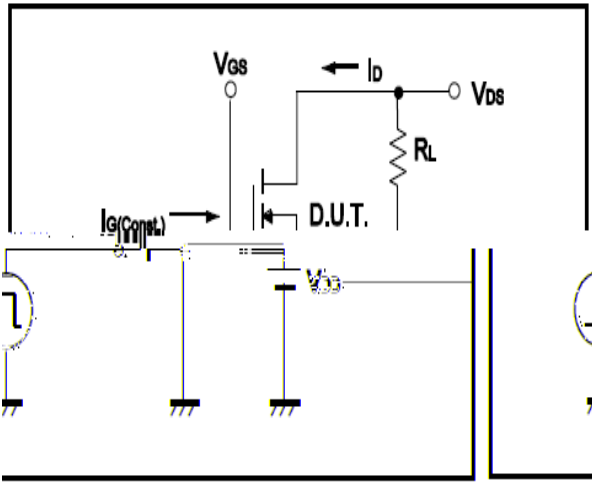


Fig.11 Switching Time Measurement Circuit

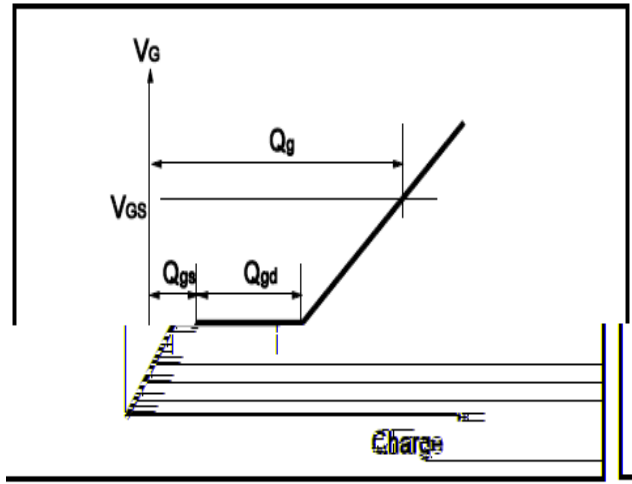
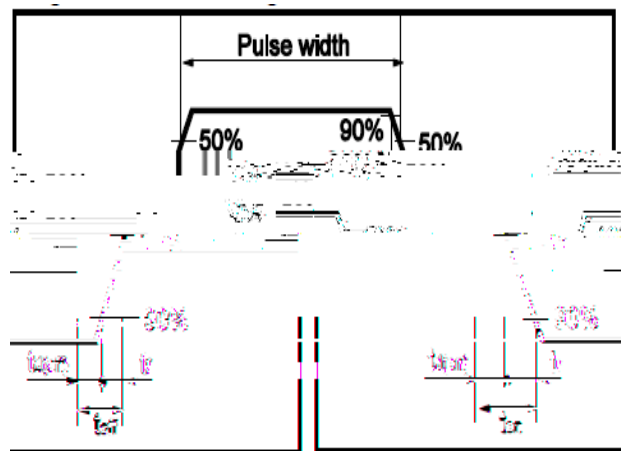
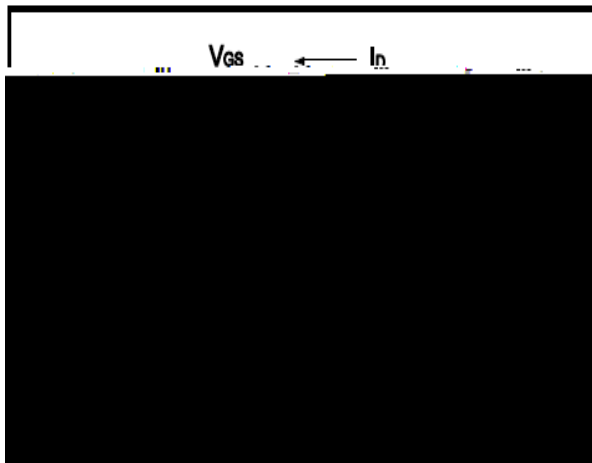


Fig.12 Gate Charge Waveform





Dimensions (TO-220F)

Unit mm

Dimensions In Millimeters			Dimensions In Millimeters		
Symbol	Min	Max	Symbol	Min	Max
a	4.5	4.9	e	2.90	3.90
b	12.48	13.78	f	0.09	0.20
c	2.34	2.74	B1	3.30	3.50
d	2.74	3.08	C1	2.34	2.54
e	2.96	3.28	C2	2.56	2.76

