



B

$T_C = 25$

Parameter	Symbol	Rating	Unit
Drain-Source Voltage	V_{DS}	80	V
Gate-Source Voltage	V_{GS}	20	V
Continuous Drain Current	$I_{D@TC=25}$	80	A
	$I_{D@TC=75}$	60	A
	$I_{D@TC=100}$	50	A
Pulsed Drain Current	I_{DM}	190	A
Total Power Dissipation($TC=25$)	$P_D@TC=25$	120	W
Total Power Dissipation($TA=25$)	$P_D@TA=25$	5	W
Operating Junction Temperature	T_J	-55 to 150	
Storage Temperature	T_{STG}	-55 to 150	



D M

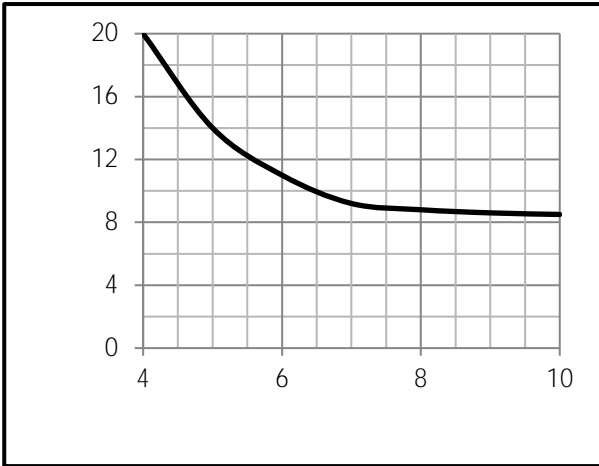


Fig.9 Switching Time Measurement Circuit

D 6 M

R

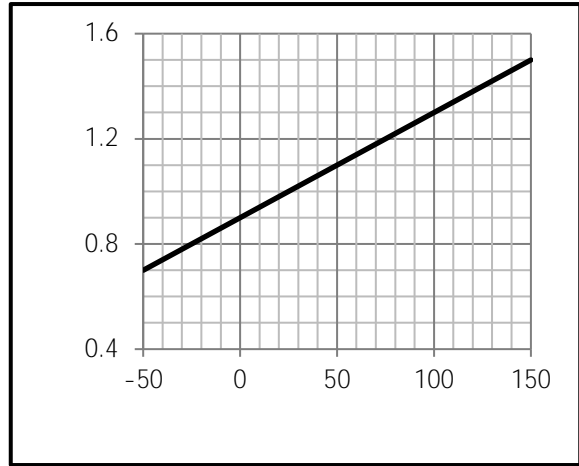


Fig.10 Gate Charge Waveform

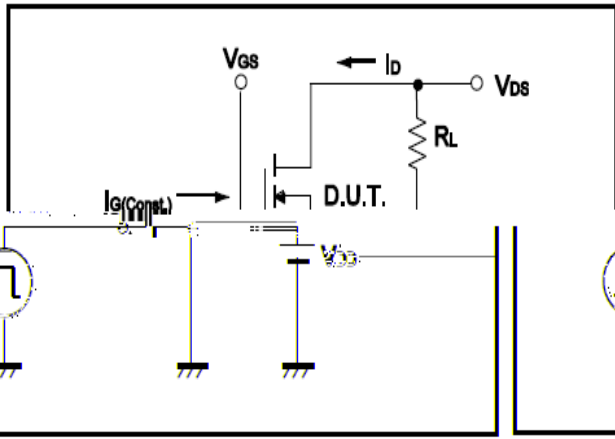


Fig.11 Switching Time Measurement Circuit

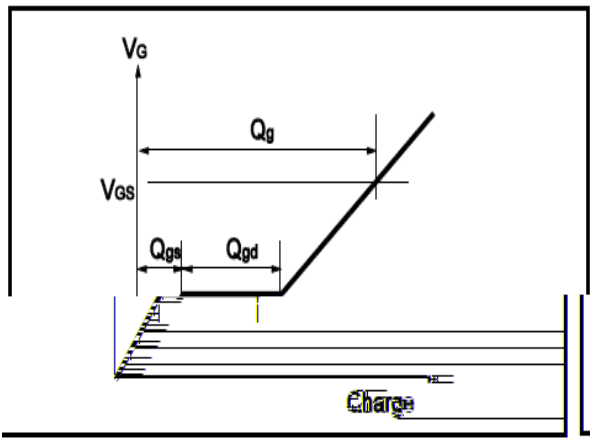
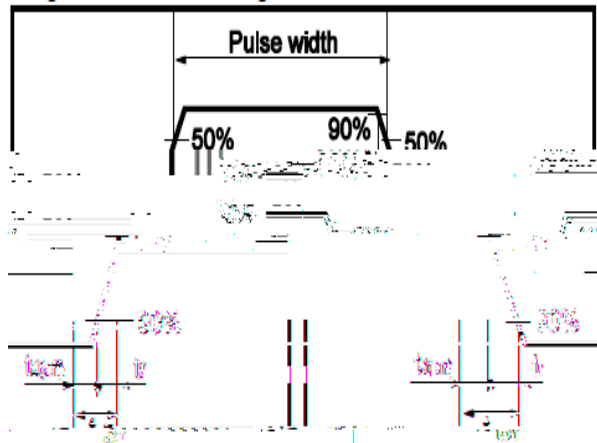
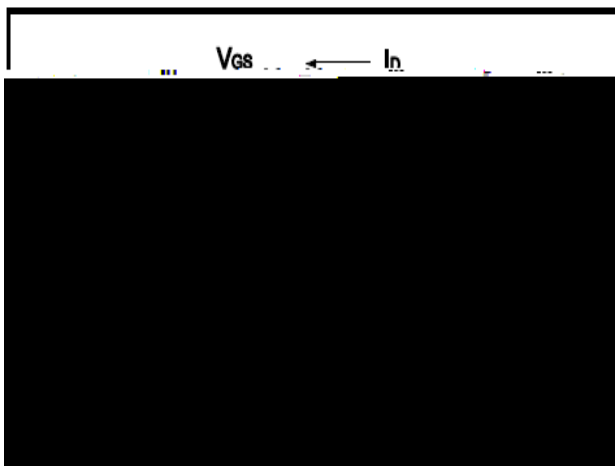


Fig.12 Gate Charge Waveform





Dimensions (TO-263)

Unit mm

SYMBOL	MIN	TYP	MAX	SYMBOL	MIN	TYP	MAX
A	4.42		4.72	E	8.99		9.29
B	1.22		1.32	e1	2.44		2.64
b	0.76		0.86	e2	4.98		5.18
b1	1.22		1.32	L1	15.19		15.79
b2	0.33		0.43	L2	2.29		2.79
C	1.22		1.32	L3	1.3		1.75
D	9.95		10.25				

