

Fig.9 Switching Time Measurement Circuit

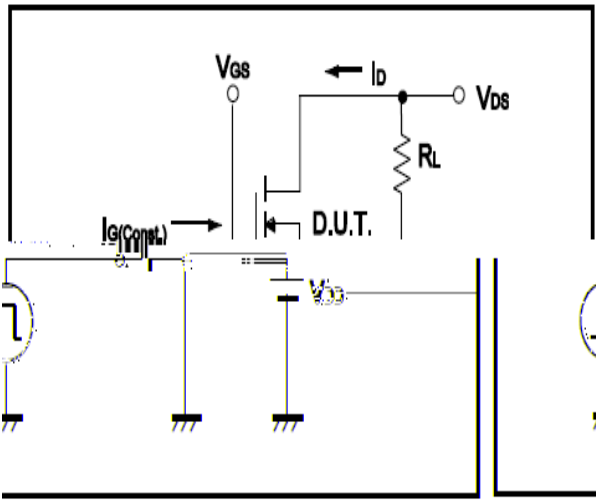


Fig.11 Switching Time Measurement Circuit

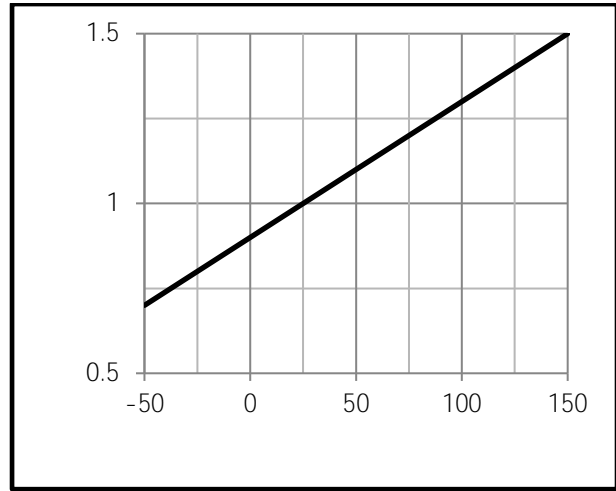
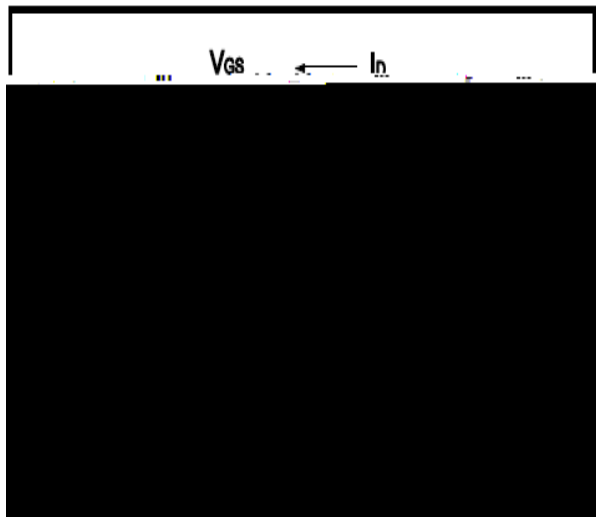


Fig.10 Gate Charge Waveform

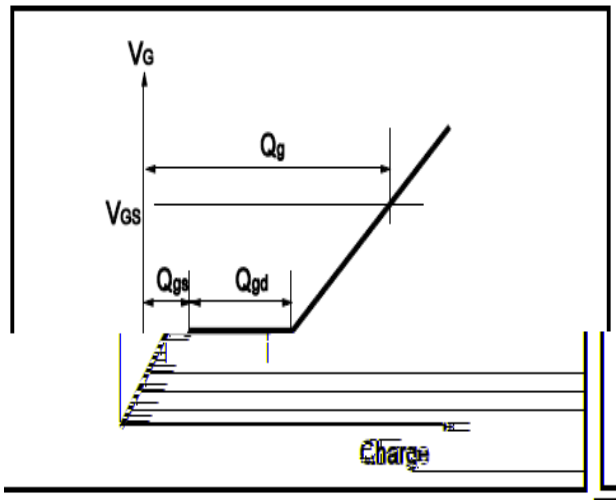
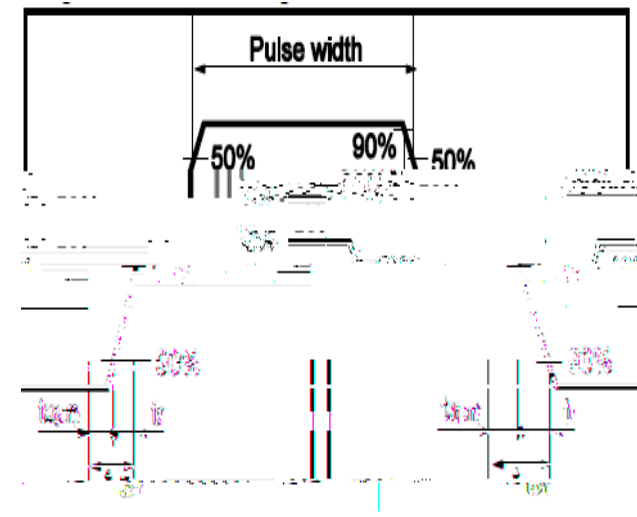


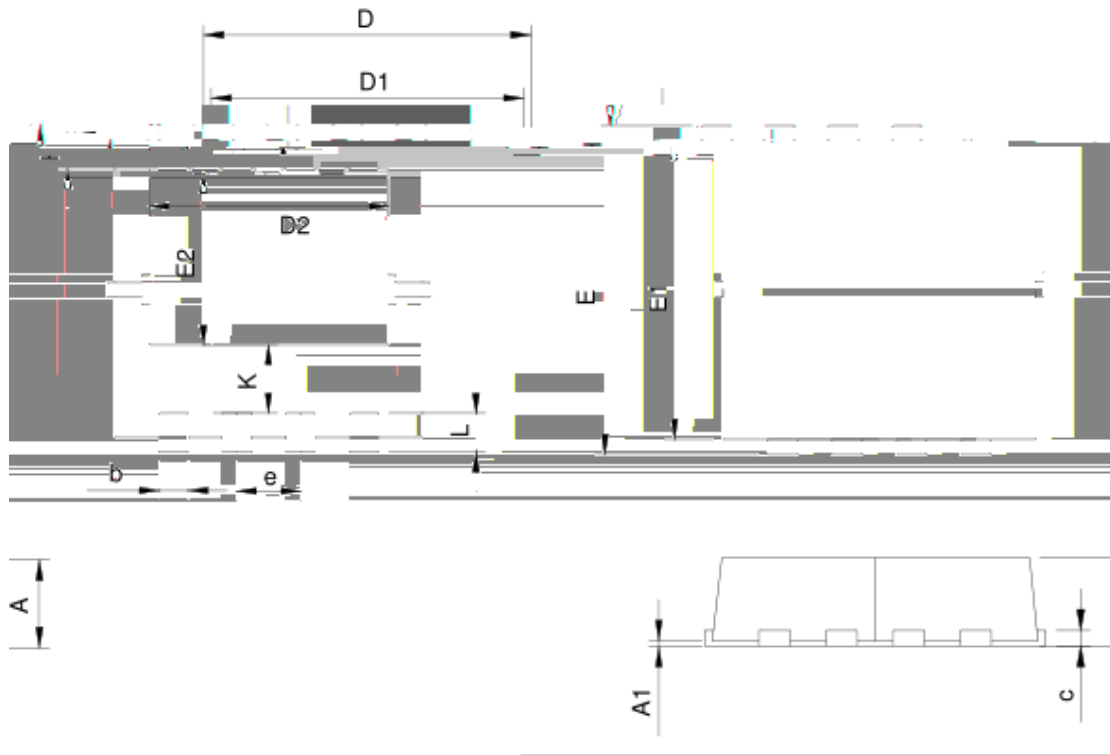
Fig.12 Gate Charge Waveform





sions(DFN3x3)

Unit mm



DFN3.3x3.3-8		RECOMMENDED LAND PATTERN			
		MILLIMETERS		INCHES	
		MIN.	MAX.	MIN.	MAX.
A	0.70	1.00	0.028	0.039	
A1	0.00	0.05	0.000	0.002	
b	0.25	0.35			0.010
c	0.14	0.20			0.006
D	3.10	3.50			0.122
D1	3.05	3.25			0.120
D2	2.35	2.55	0.093	0.100	
E	3.10	3.50	0.122	0.138	
E1	2.90	3.10	0.114	0.122	
E2	2.35	2.55	0.093	0.100	
e	0.65 BSC				0.026 BSC
H	0.32	0.52	0.013	0.020	
K	0.59	0.79	0.023	0.031	
	0.25	0.35	0.010	0.022	