



**T<sub>c</sub> =25**

Parameter	Symbol	Rating	Unit
Drain-Source Voltage	V <sub>DS</sub>	-20	V
Gate-Source Voltage	V <sub>GS</sub>	±10	V
Continuous Drain Current	I <sub>D@TC=25</sub>	-3.2	A
	I <sub>D@TC=75</sub>	-2.4	A
	I <sub>D@TC=100</sub>	-2.0	A
Pulsed Drain Current	I <sub>DM</sub>	-9	A

5

case

ambient

Welding for

Min.	Typ.	Max.
------	------	------

-	-	80
---	---	----

-	-	180
---	---	-----

-	-	265
---	---	-----

**Symbol**

Min.	Typ.	Max.
------	------	------

$BV_{DSS}$

-20		
-----	--	--

$V_{GS(TH)}$

-0.3		-1
------	--	----

Drain-Source Leakage Current

$I_{DSS}$

$V_{DS}=-20V, V_{GS}=0V$

		-1.0
--	--	------

---



4 =

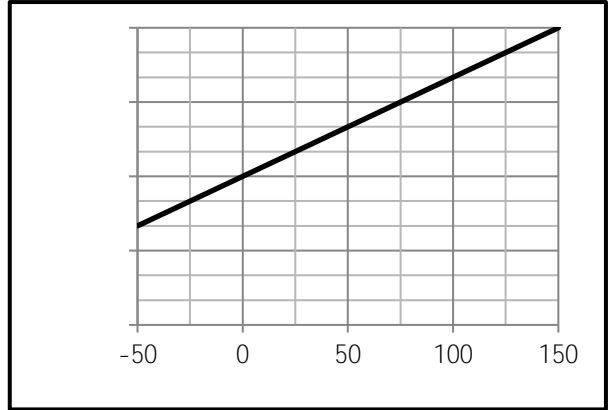
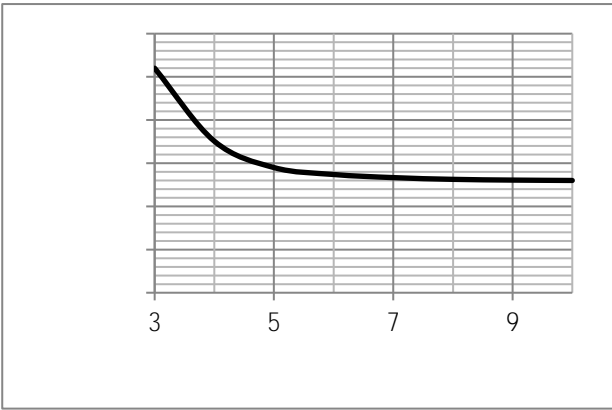


Fig.9 Switching Time Measurement Circuit

Fig.10 Gate Charge Waveform

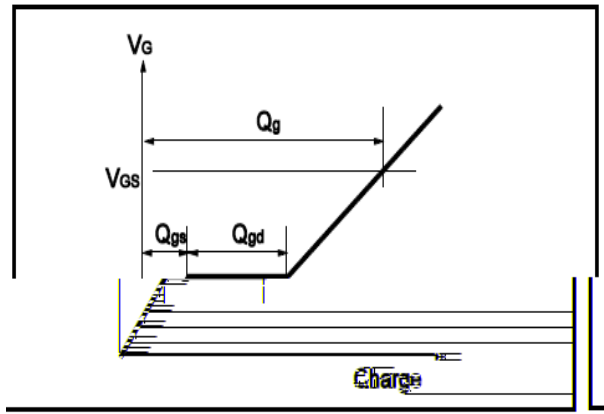
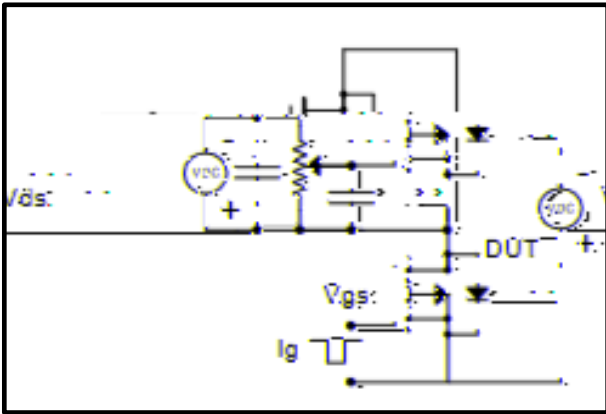
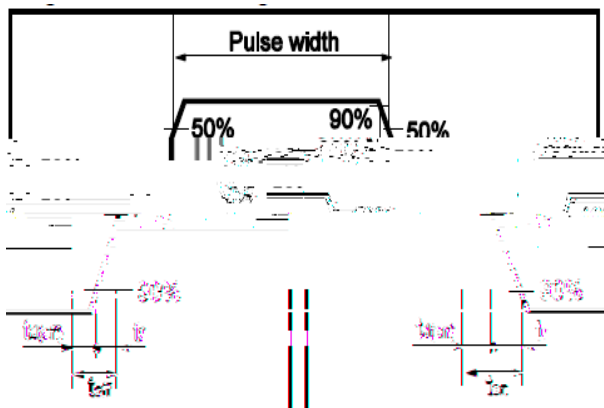
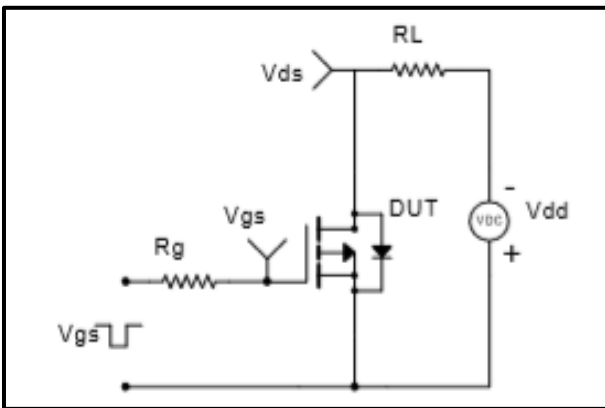


Fig.11 Switching Time Measurement Circuit

Fig.12 Gate Charge Waveform





**Dimensions (SOT23-3)**

Unit mm Unit mm

