



Fig.1 Power Dissipation

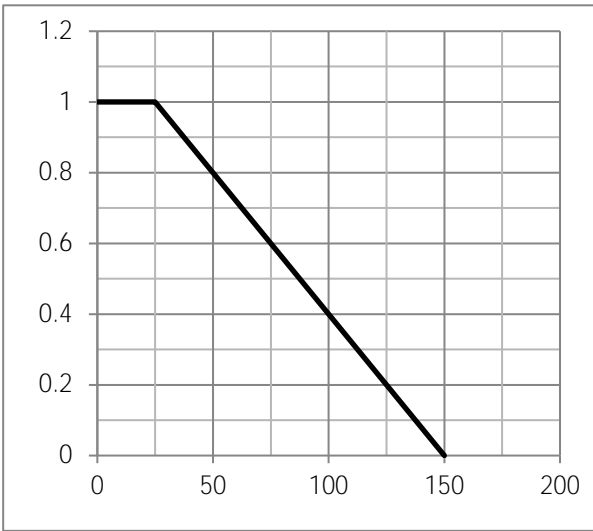


Fig.2 Typical output Characteristics

Fig.3 Threshold Voltage V.S Junction Temperature

Fig.4 Resistance V.S Drain Current

Fig.5 On-Resistance VS Gate Source Voltage

Fig.6 On-Resistance V.S Junction Temperature

Fig.7 Switching Time Measurement Circuit

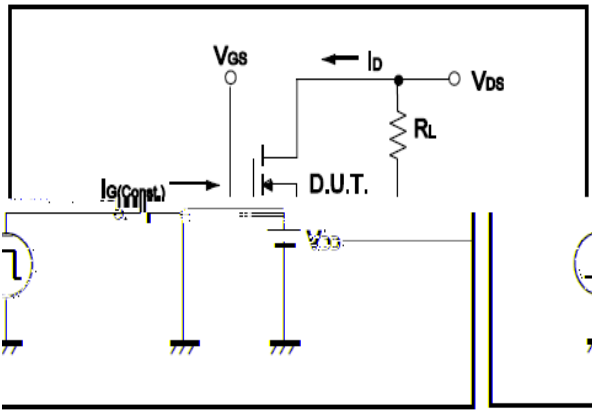


Fig.8 Gate Charge Waveform

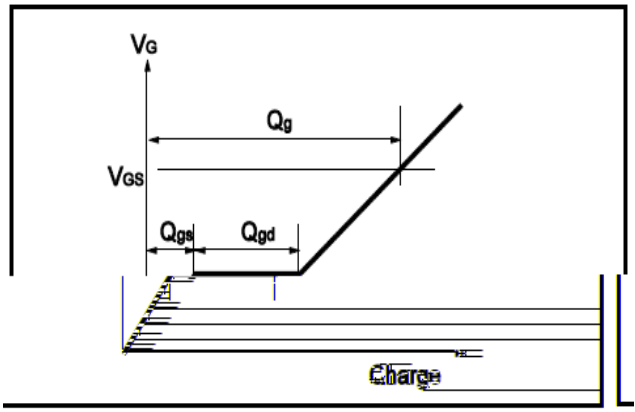


Fig.9 Switching Time Measurement Circuit

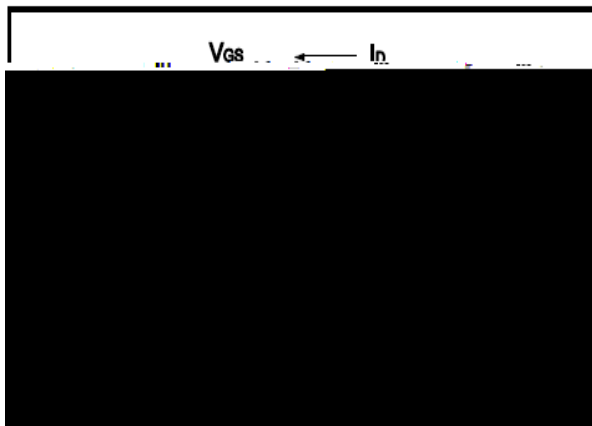


Fig.10 Gate Charge Waveform

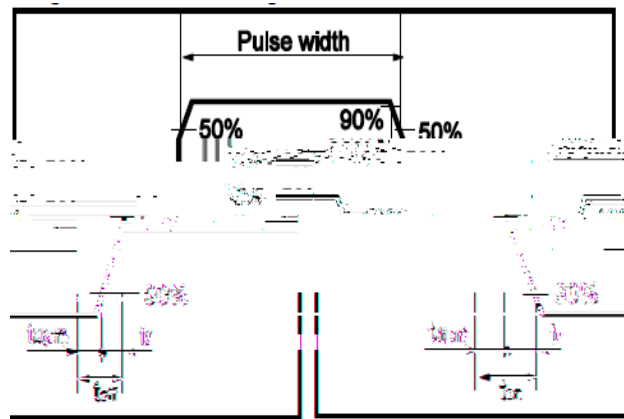


Fig.11 Avalanche Measurement Circuit

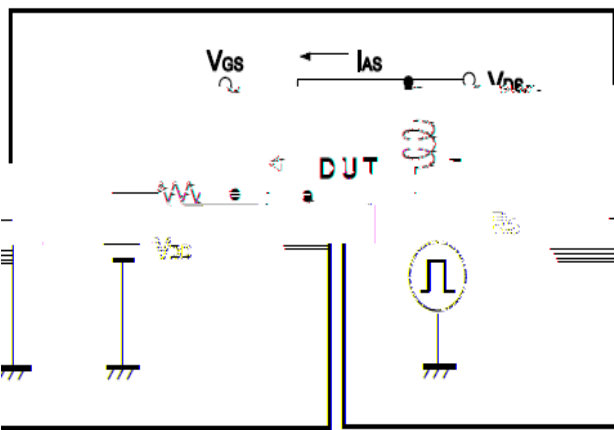
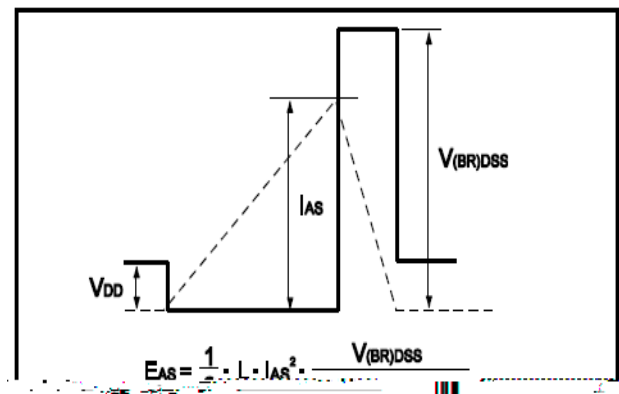


Fig.12 Avalanche Waveform





Dimensions (TO-220)

Unit mm

	2..		2
	0.		.			0 2	
	..		2.		.		2
	.		..		0 .		2 .
	. 1		.		1..	1 .	2..
	..		.		0 .		1..
	.		.		0..		1..
					1 .		1 .

