



**Ordering Information:**

**Absolute Maximum Ratings  $T_C = 25$**

| Parameter                         | Symbol                  | Rating   | Unit |
|-----------------------------------|-------------------------|----------|------|
| Drain-Source Voltage              | $V_{DS}$                | 60       | V    |
| Gate-Source Voltage               | $V_{GS}$                | $\pm 20$ | V    |
| Continuous Drain Current          | $I_{D@TC=25^{\circ}C}$  | 16       | A    |
|                                   | $I_{D@TC=75^{\circ}C}$  | 12       | A    |
|                                   | $I_{D@TC=100^{\circ}C}$ | 10       | A    |
| Pulsed Drain Current <sup>①</sup> | $I_{DM}$                | 35       | A    |

Total Power Dissip 6.96 TtnBT/F2 10.5€





Fig.1



Fig.7 Switching Time Measurement Circuit

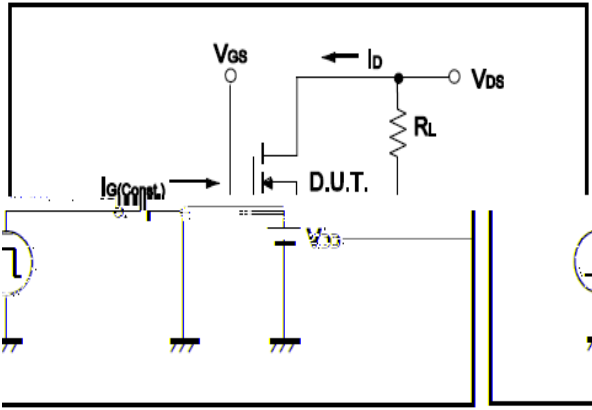


Fig.8 Gate Charge Waveform

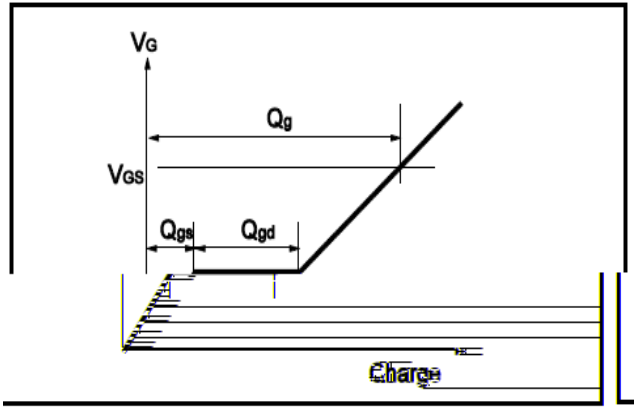


Fig.9 Switching Time Measurement Circuit

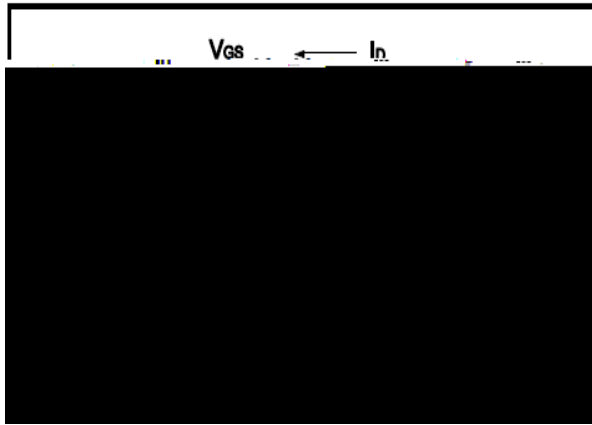


Fig.10 Gate Charge Waveform

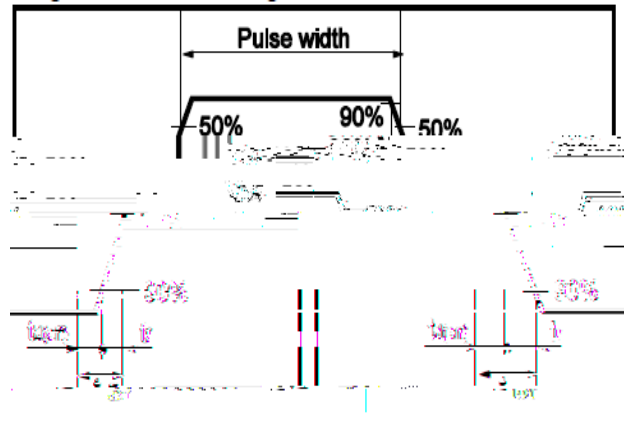


Fig.11 Avalanche Measurement Circuit

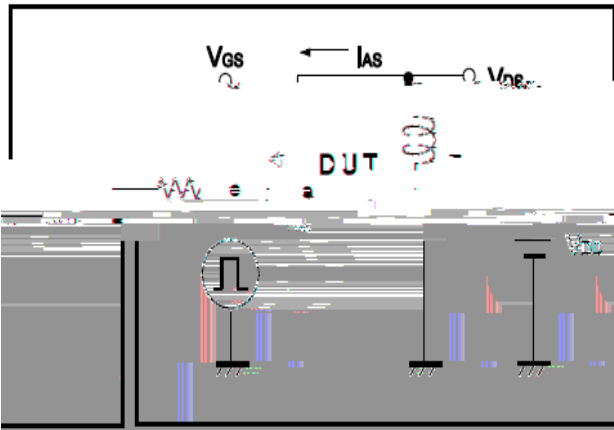


Fig.12 Avalanche Waveform

