

P Channel Absolute Maximum Ratings $T_c = 25$

Parameter	Symbol	Rating	Unit
-----------	--------	--------	------





P Channel characteristics curve

Fig.1 Power Dissipation Derating Curve

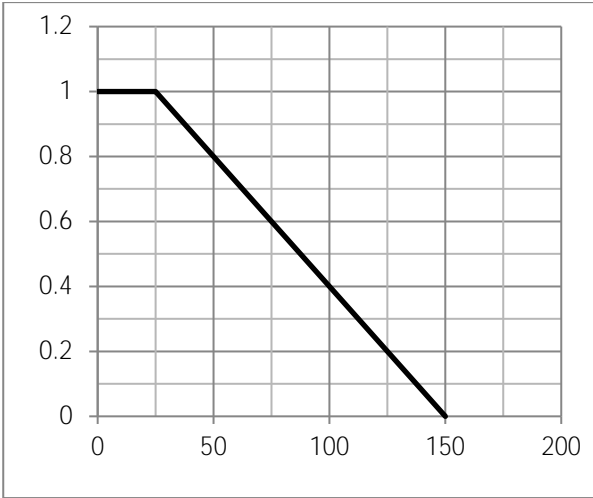


Fig.2 Typical output Characteristics

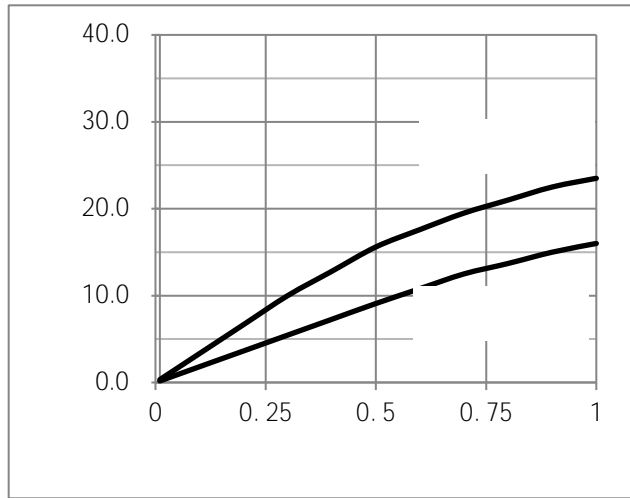


Fig.3 Threshold Voltage V.S Junction Temperature

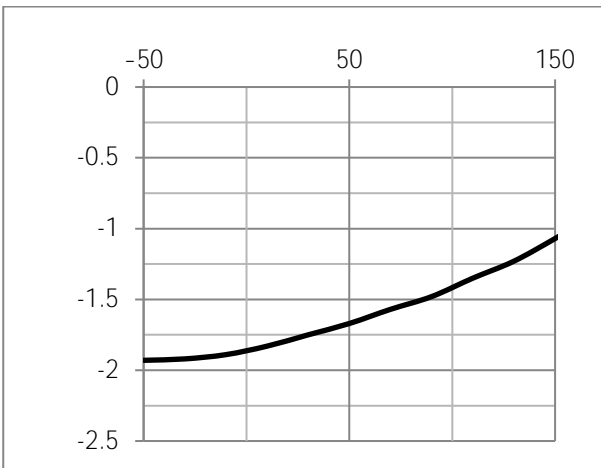
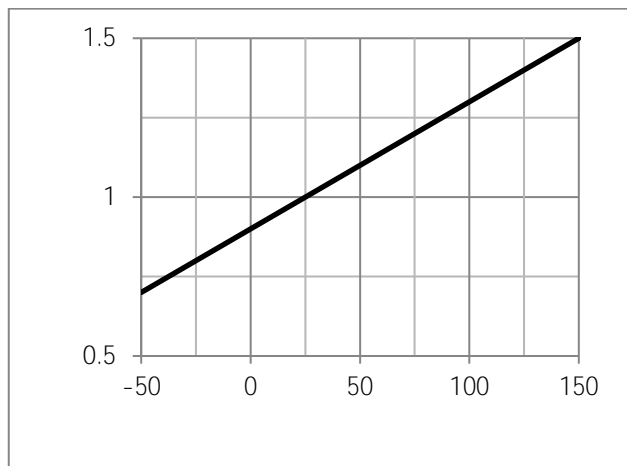
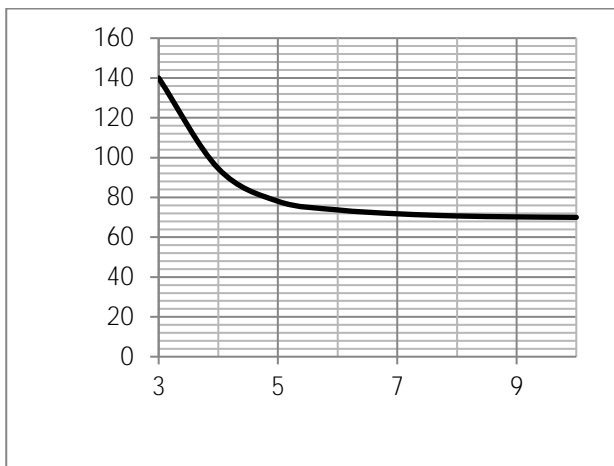
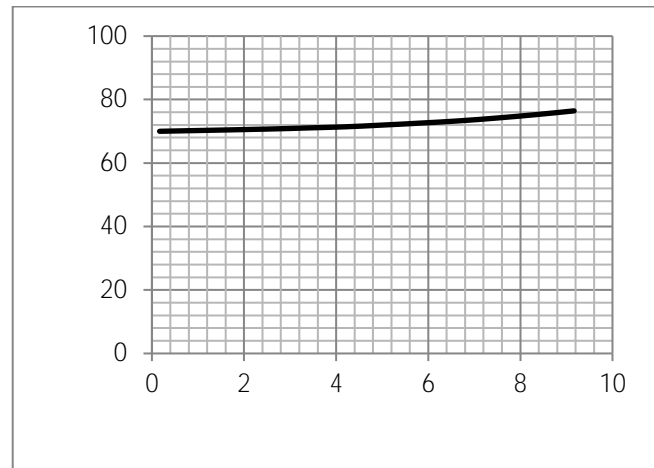


Fig.4 Resistance V.S Drain Current





Test Circuit

Fig.7 Switching Time Measurement Circuit

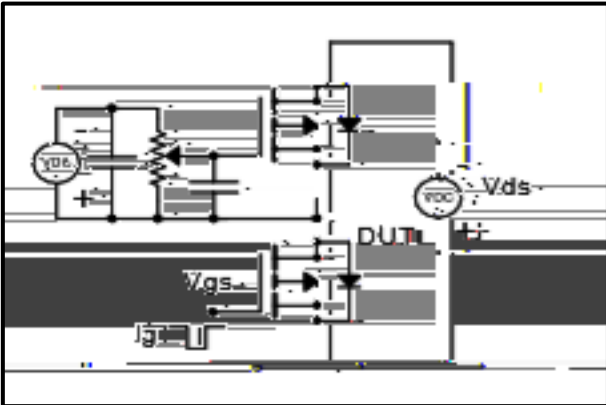


Fig.8 Gate Charge Waveform

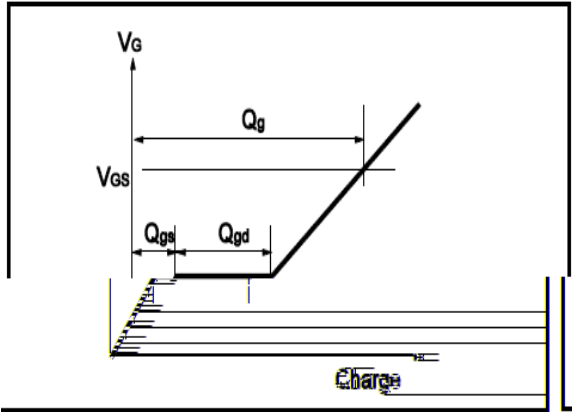


Fig.9 Switching Time Measurement Circuit

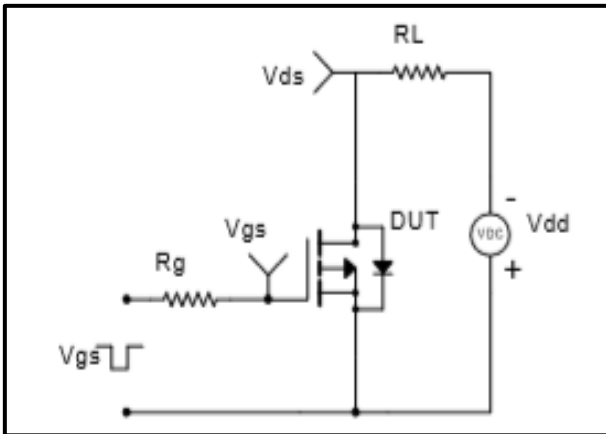


Fig.10 Gate Charge Waveform

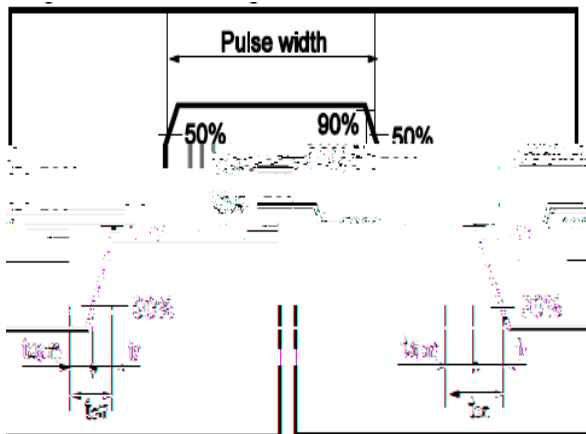


Fig.11 Avalanche Measurement Circuit

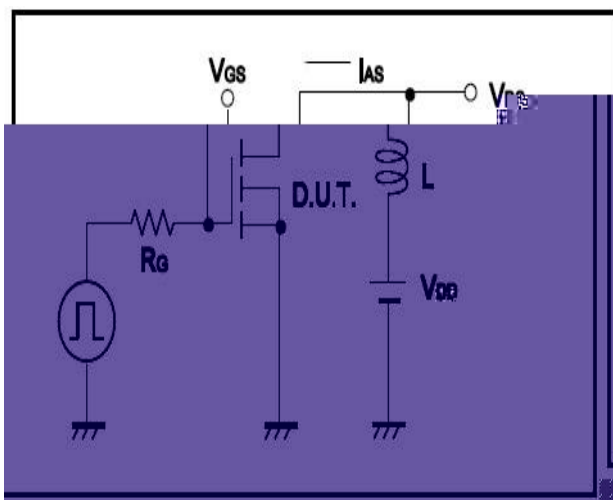
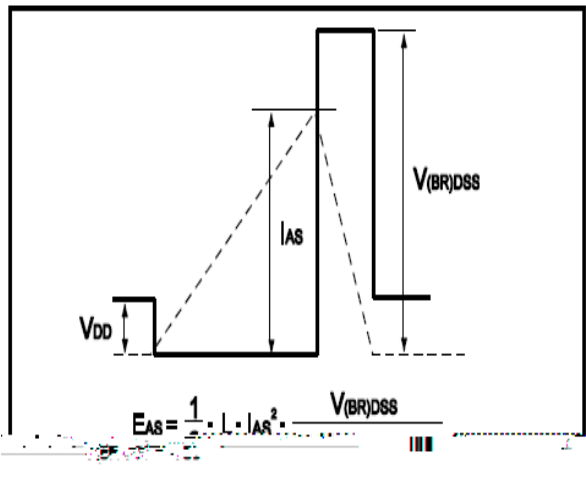


Fig.12 Avalanche Waveform





.2 3 . 3 (SOT23-6)

