







Fig.1 Gate-Charge Characteristics

Fig.2 Capacitance Characteristics



Fig.7 On-Resistance VS Gate Source Voltage

Fig.8 On-Resistance V.S Junction Temperature

Fig.9 SOA Maximum Safe Operating Area

Fig.10 ID-



Fig.13 Switching Time Measurement Circuit

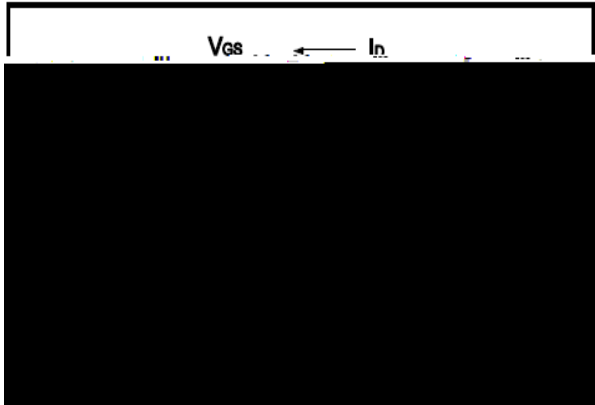


Fig.14 Gate Charge Waveform

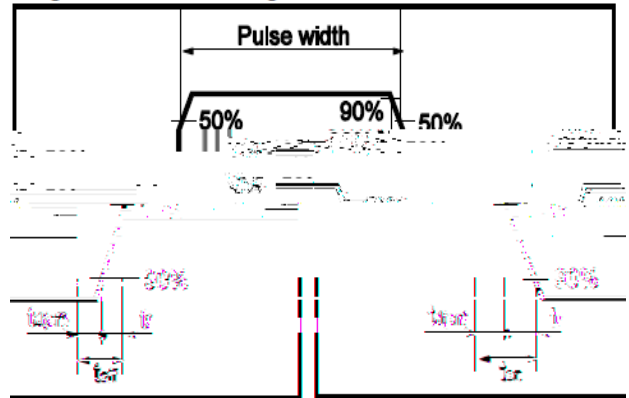


Fig.15 Avalanche Measurement Circuit

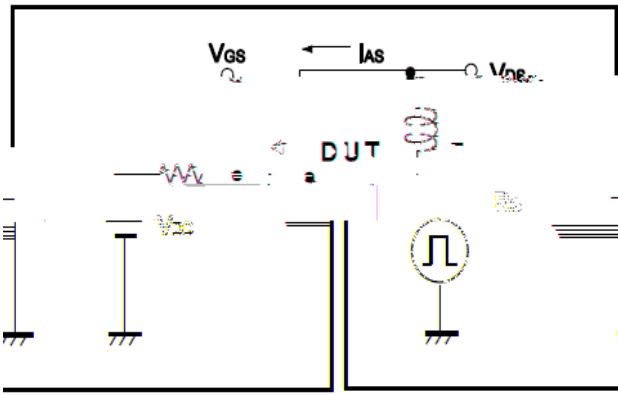


Fig.16 Avalanche Waveform

