



: **T_c =25**

Parameter	Symbol	Rating	Unit
Drain-Source Voltage	V _{DS}	-30	V
Gate-Source Voltage	V _{GS}	±20	V
Continuous Drain Current	I _{D@TC=25}	-5.1	A
	I _{D@TC=75}	-3.9	A
	I _{D@TC=100}	-3.2	A
Pulsed Drain Current	I _{DM}	-12	A
Diode continuous forward current	I _S	-5.1	A
Total Power Dissipation	P _D	1.5	W
Total Power Dissipation	P _{D@TA=25}	0.7	W

)

Fig.10 ID-Junction Temperature

Fig.11 Switching Time Measurement Circuit

Fig.12

Fig.13 Switching Time Measurement Circuit

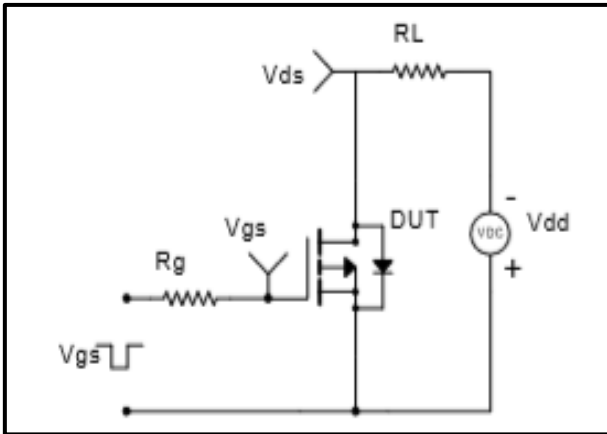


Fig.14 Gate Charge Waveform

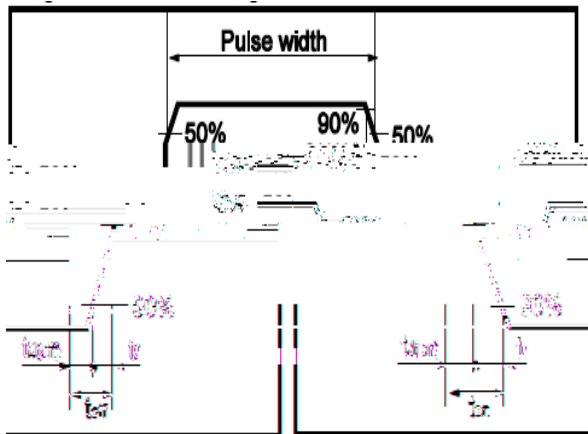


Fig.15 Avalanche Measurement Circuit

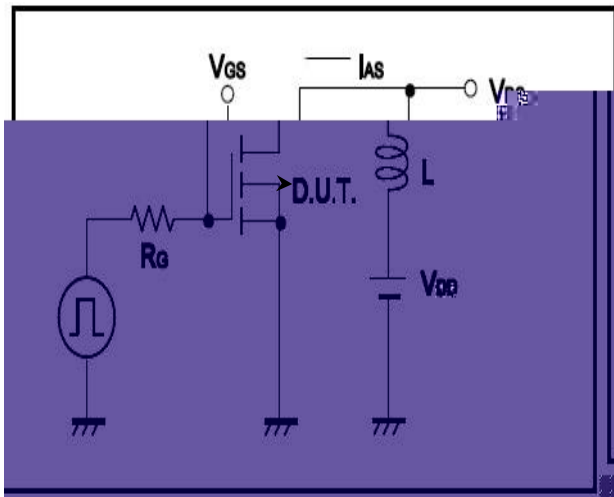
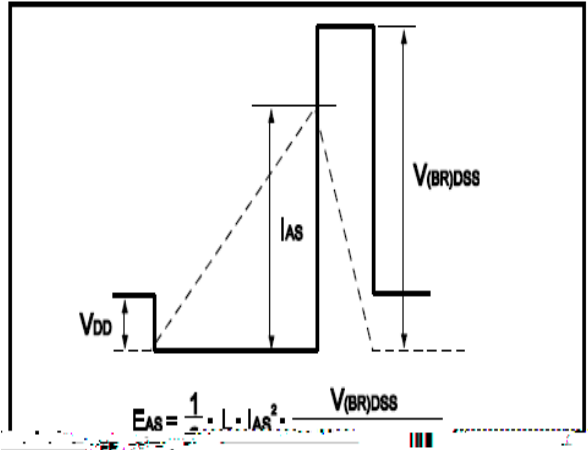


Fig.16vAvalanche Waveform



= (SOT23-3)

Unit mm

