

The ZM185N10P

(T_C =25°C)

Parameter	Symbol	Rating	Unit
Drain-Source Voltage	V _{DS}	100	V
Gate-Source Voltage	V _{GS}	±20	V
Continuous Drain Current	I _{D@TC=25°C}	50	A
	I _{D@TC=75°C}	38	A
	I _{D@TC=100°C}	31.5	A
Pulsed Drain Current ^①	I _{DM}	120	A
Total Power Dissipation	P _{D@TC=25°C}	95	W
Operating Junction Temperature	T _J	-55-150	°C
Storage Temperature Range	T _{STG}	-55-150	°C
Single Pulse Avalanche Energy	E _{AS}	100	mJ

Fig.1 Power Dissipation

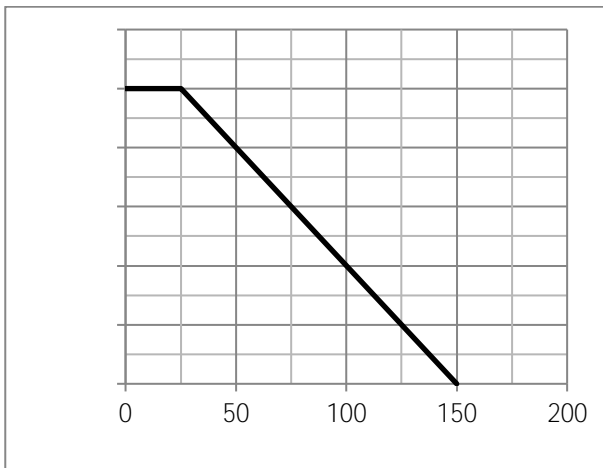


Fig.2 Typical output Characteristics

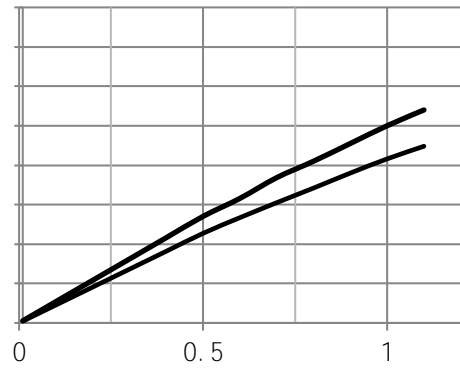


Fig.3 Threshold Voltage V.S Junction Temperature

Fig.4 Resistance V.S Drain Current

Fig.7 Switching Time Measurement Circuit

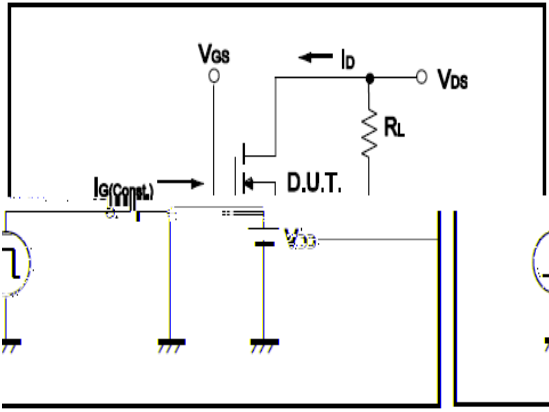


Fig.8 Gate Charge Waveform

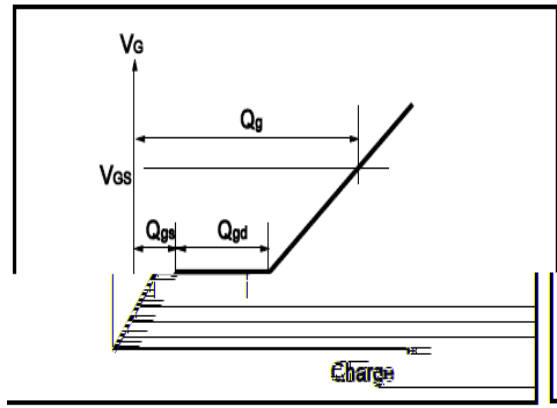


Fig.9 Switching Time Measurement Circuit

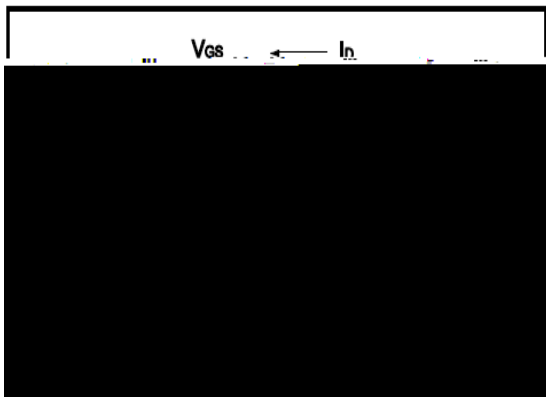


Fig.10 Gate Charge Waveform

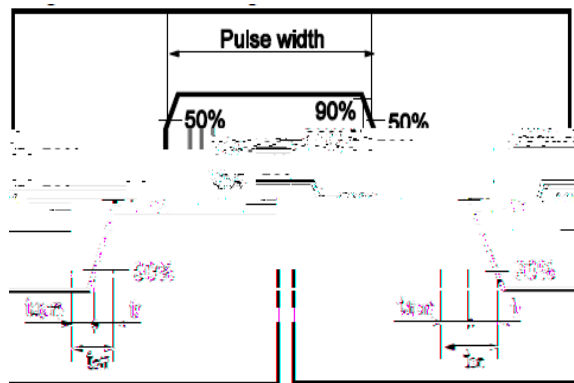


Fig.11 Avalanche Measurement Circuit

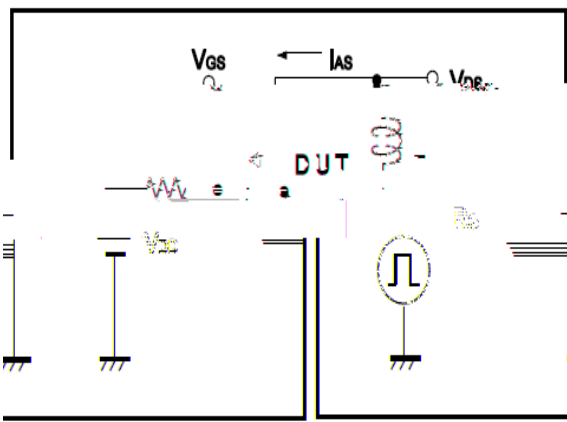
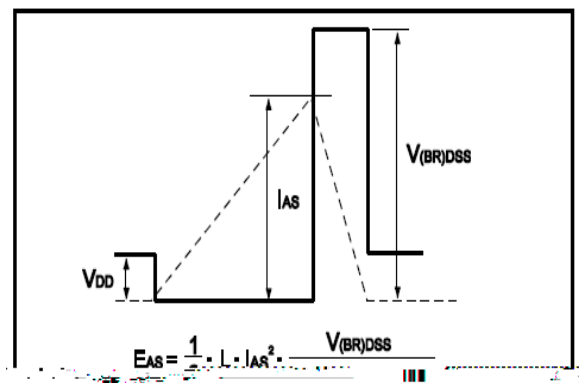


Fig.12 Avalanche Waveform





(TO-220)

Unit mm

	2..		2 .				. .
	0.		.			0 2	
	..		2.				2
	.		..		0 .		2 .
	. 1		.		1..	1 .	2..
	..		.		0 .		1..
	.		.		0..		1..
					1 .		1 .

