



T<sub>C</sub> =25

|                         | Symbol                | Rating | Unit |
|-------------------------|-----------------------|--------|------|
| V <sub>DS</sub>         | V <sub>DS</sub>       | 100    | V    |
| V <sub>GS</sub>         | V <sub>GS</sub>       | ±20    | V    |
| Current                 | I <sub>D@TC=25</sub>  | 15     | A    |
|                         | I <sub>D@TC=75</sub>  | 11.4   | A    |
|                         | I <sub>D@TC=100</sub> | 9.4    | A    |
| Pulsed Drain Current    | I <sub>DM</sub>       | 32     | A    |
| Total Power Dissipation | P <sub>D@TC=25</sub>  | 3.6    | W    |
| Total Power Dissipation | P <sub>D@TA=25</sub>  | 0.69   | W    |





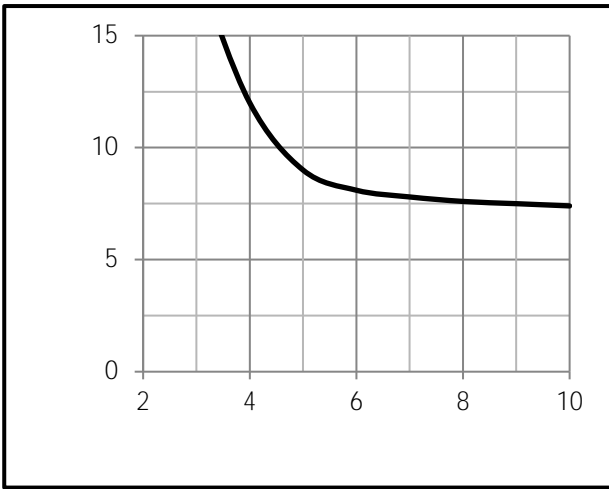


Fig.9 Switching Time Measurement Circuit

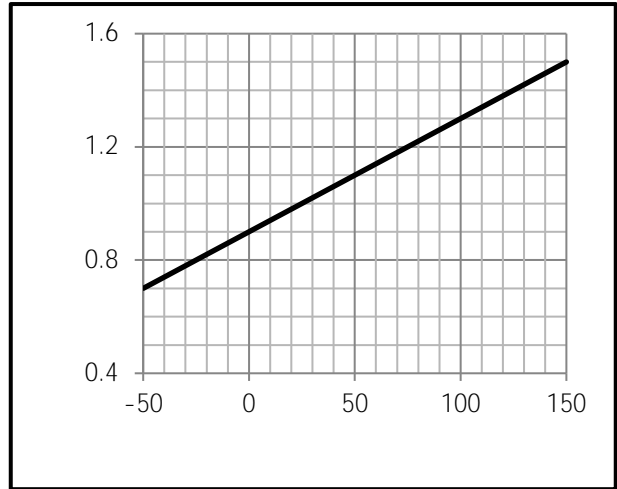


Fig.10 Gate Charge Waveform

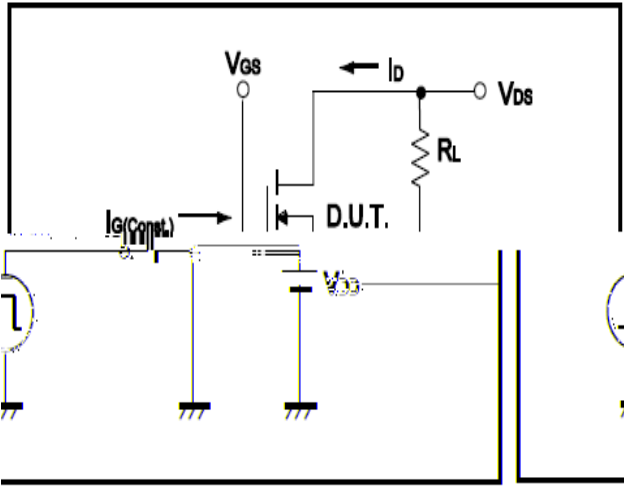


Fig.11 Switching Time Measurement Circuit

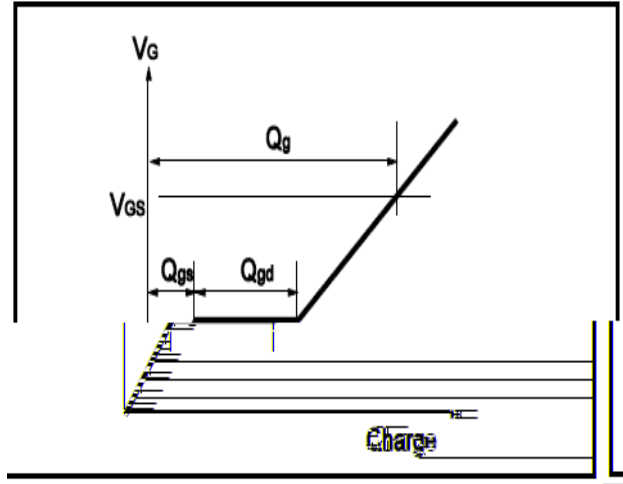


Fig.12 Gate Charge Waveform

