



$T_C = 25$

Parameter	Symbol	Rating	Unit
Drain-Source Voltage	V_{DS}	40	V
Gate-Source Voltage	V_{GS}	± 20	V

$I_{D@}$

Continuous Drain Current



Thermal resistance

Parameter	Symbol	Min.	Typ.	Max.	Unit
Thermal resistance, junction - case	R _{thJC}	-	-	2.7	° C/W
Thermal resistance, junction - ambient	R _{thJA}	-	-	53	° C/W
Soldering temperature, wave soldering for 10s	T _{sold}	-	-	265	° C



Parameter	Symbol	Condition	Min.	Typ	Max.	Unit
-----------	--------	-----------	------	-----	------	------



Fig.1 Power Dissipation

Fig.2 Typical output Characteristics

Fig.3 Threshold Voltage V.S Junction Temperature Fig.4 Resistance V.S Drain Current

Fig.7 Switching Time Measurement Circuit

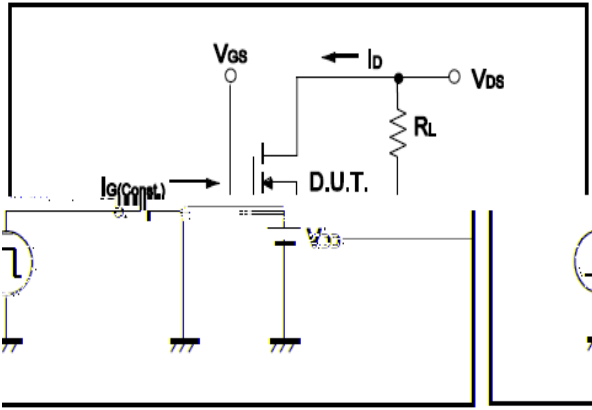


Fig.8 Gate Charge Waveform

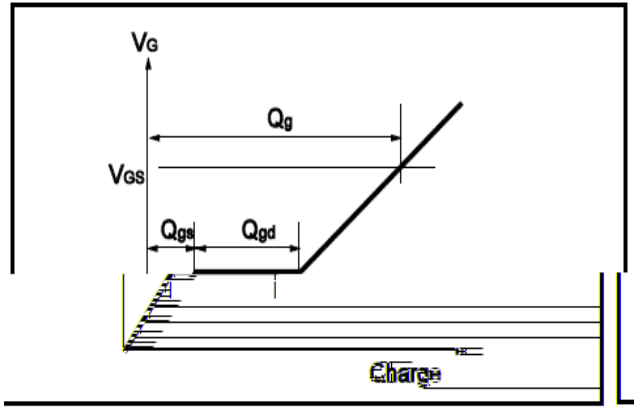


Fig.9 Switching Time Measurement Circuit

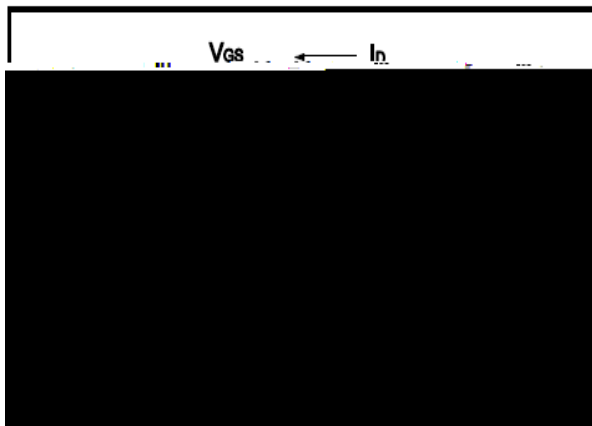


Fig.10 Gate Charge Waveform

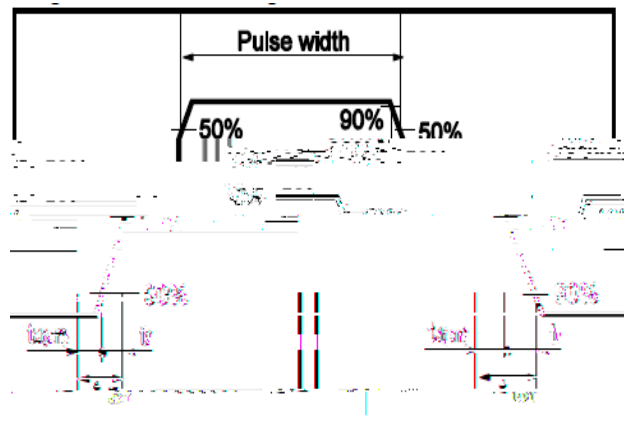


Fig.11 Avalanche Measurement Circuit

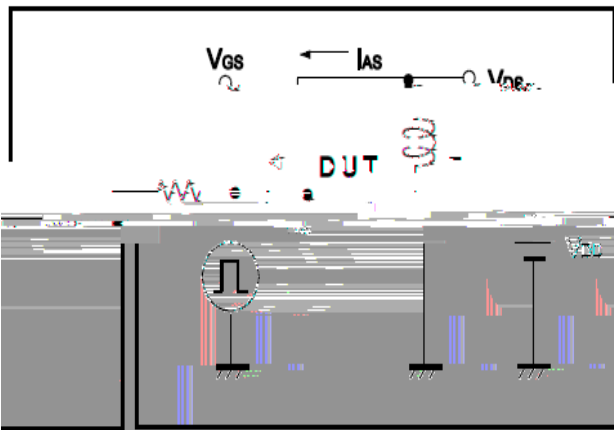


Fig.12 Avalanche Waveform

