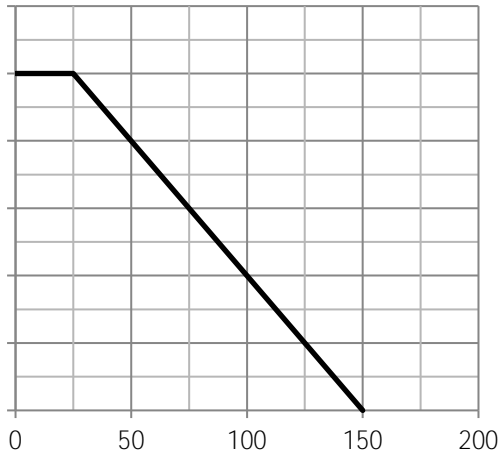






Fig.1 Power Dissipation Derating Curve

Fig.2 Typical output Characteristics"



"

"

"

Fig.3 Threshold Voltage V.S Junction Temperature

Fig.4 Resistance V.S Drain Current

"

"

"

"

0"

" " " "

0"

" 0"

" "

"

"

Fig.7 Switching Time Measurement Circuit

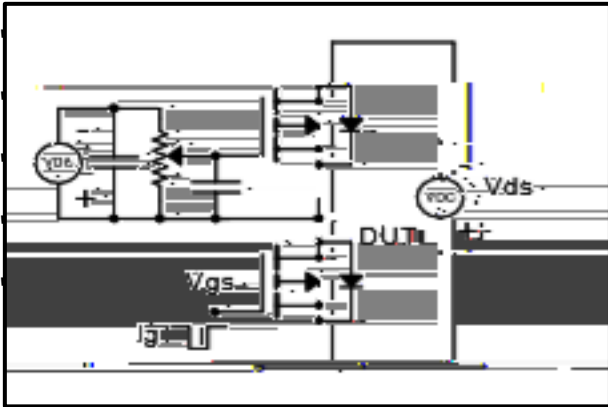


Fig.8 Gate Charge Waveform

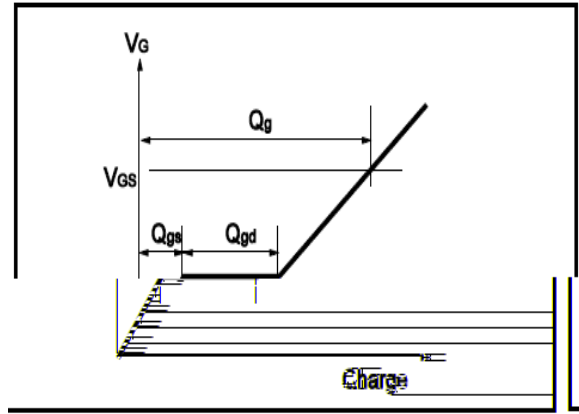


Fig.9 Switching Time Measurement Circuit

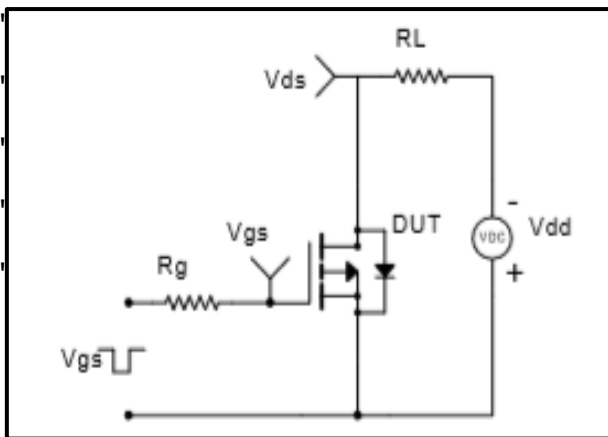


Fig.10 Gate Charge Waveform

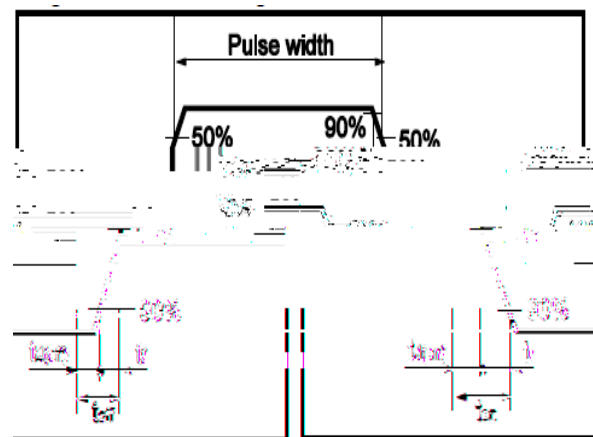


Fig.11 Avalanche Measurement Circuit

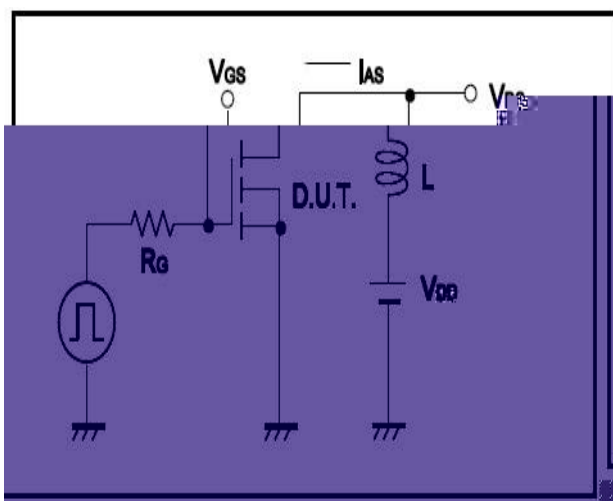
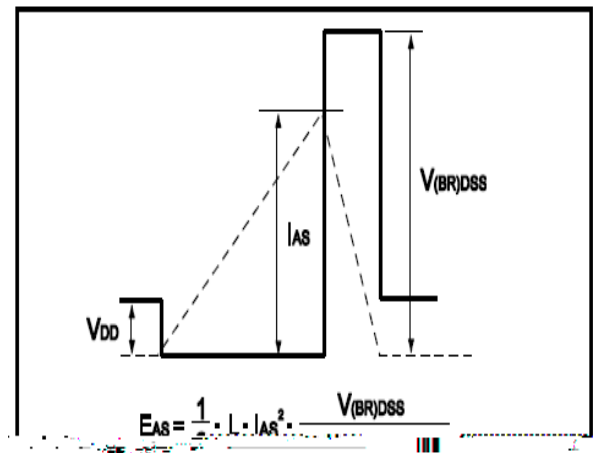


Fig.12 Avalanche Waveform



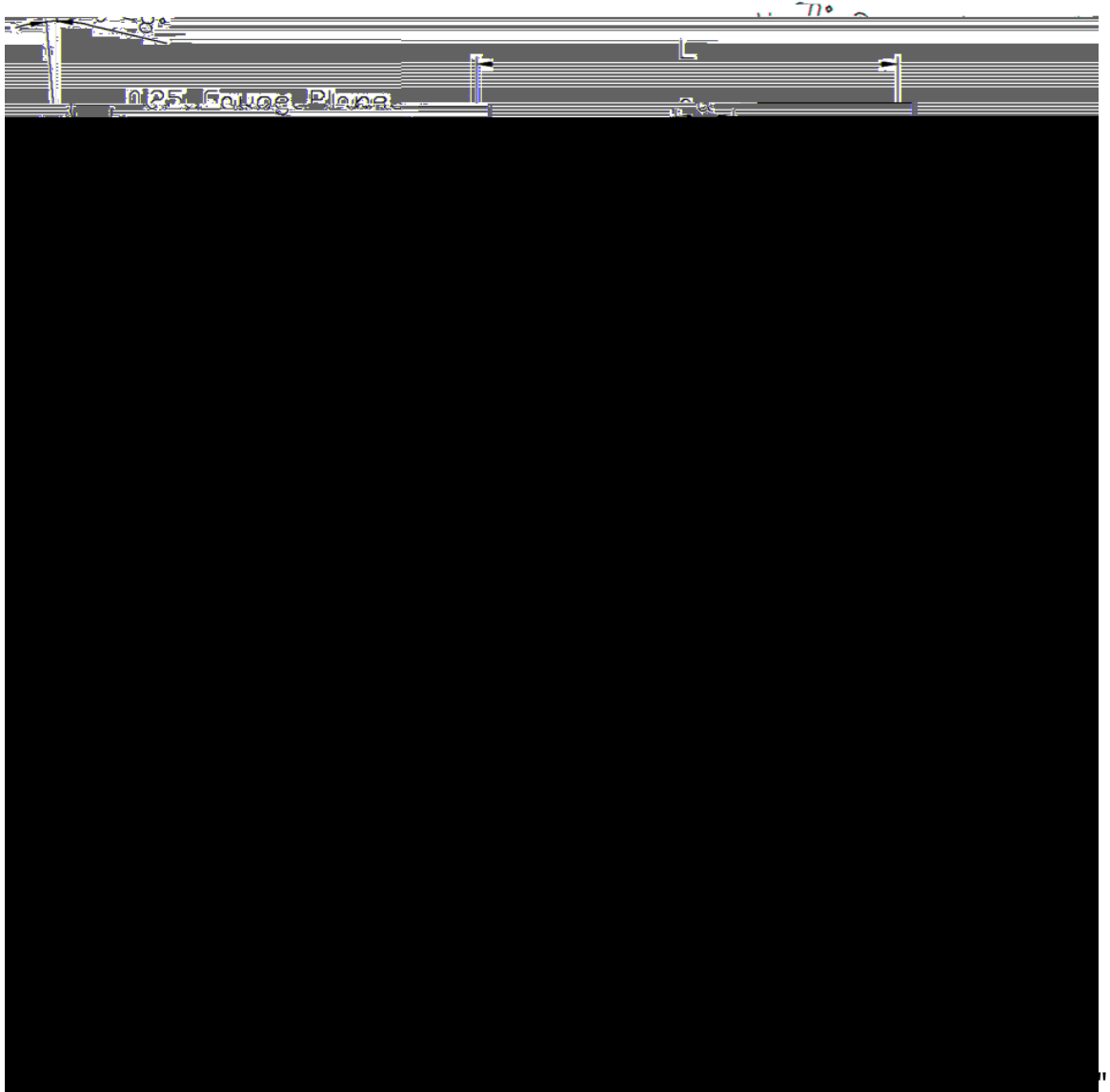
"

"



(SOT23-3)

Unit mm"



"  
"  
"  
"  
"  
"  
"