

Fig.9 Switching Time Measurement Circuit

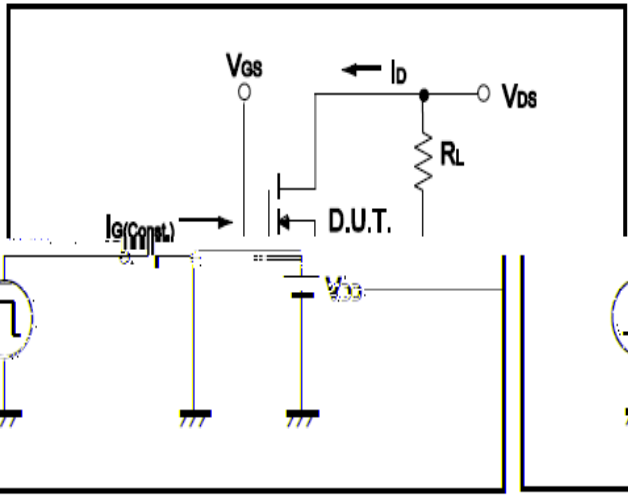


Fig.11 Switching Time Measurement Circuit

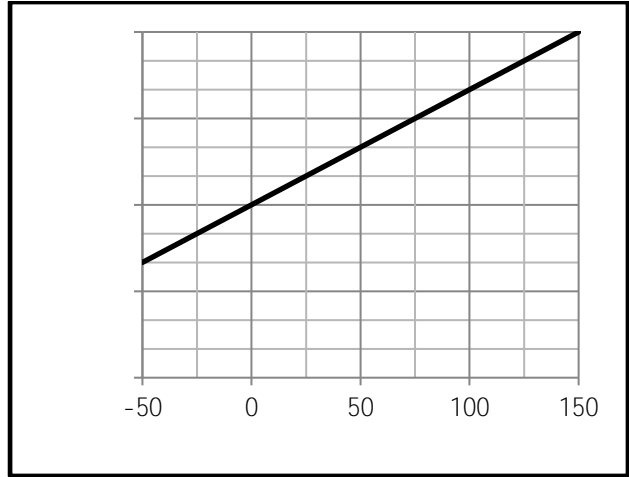
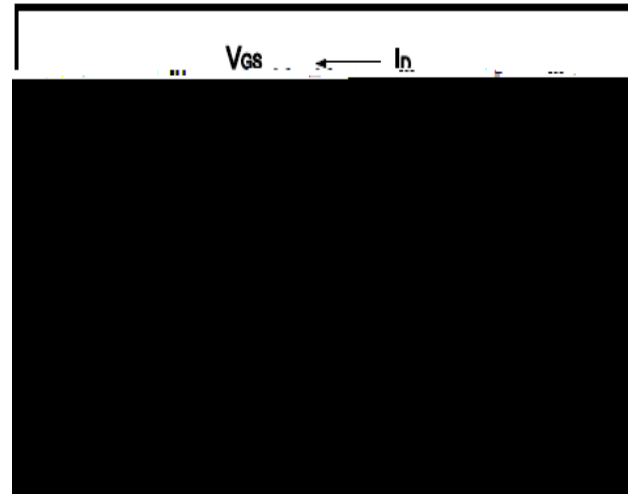


Fig.10 Gate Charge Waveform

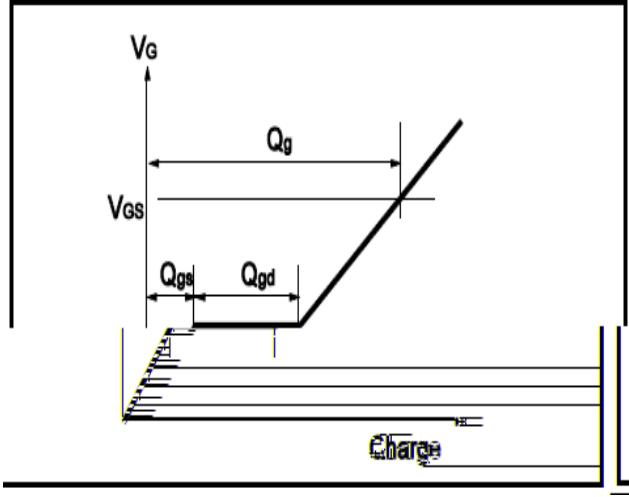
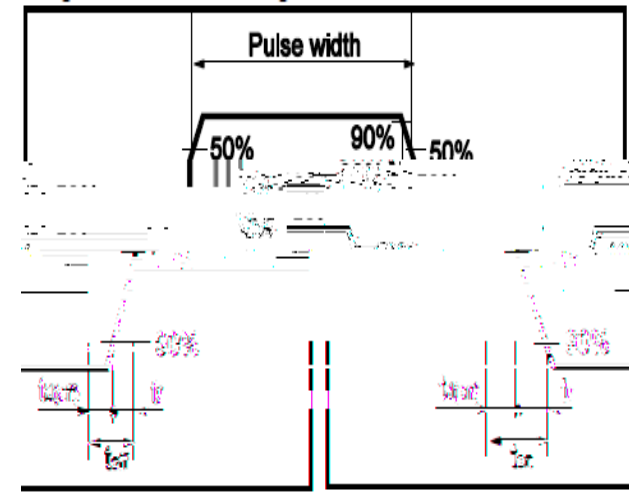


Fig.12 Gate Charge Waveform





**Dimensions (TO-220F)**

Unit mm
