



Thermal resistance

Parameter	Symbol	Min.	Typ.	Max.	Unit
-----------	--------	------	------	------	------





N Channel characteristics curve

Fig.1 Power Dissipation Derating Curve

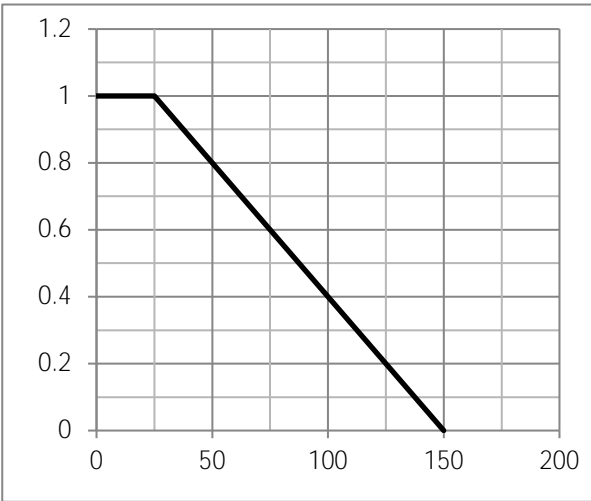


Fig.2 Typical output Characteristics

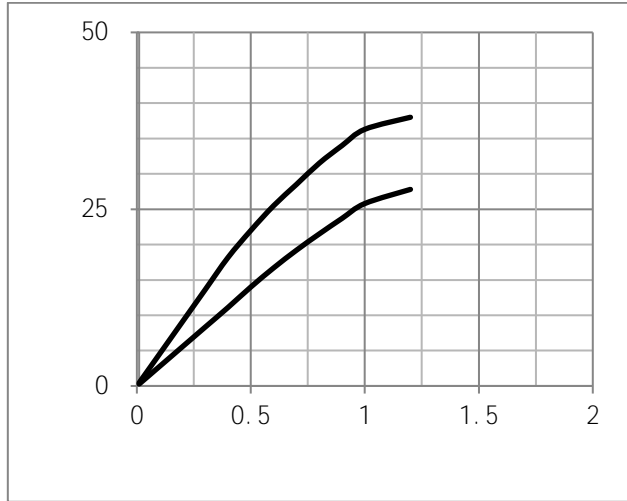
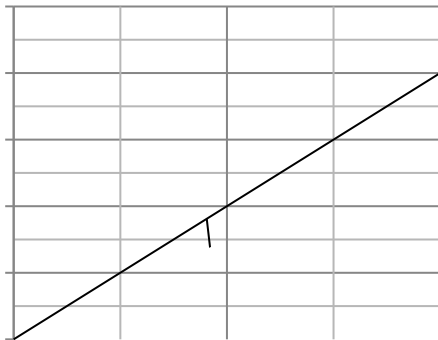


Fig.3 Threshold Voltage V.S Junction Temperature

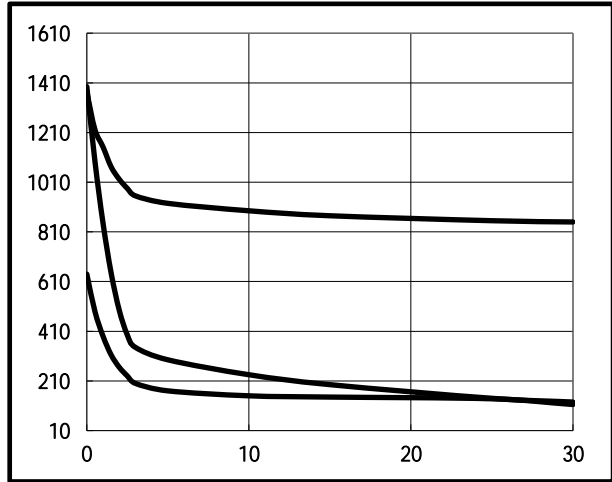
Fig.4 Resistance V.S Drain Current





P Channel characteristics curve

Fig.1 Gate-Charge ChaChas1(OSt0(C)i(ha)JTJETQq.000008871 0 595.32 841.92 reW*nBT/F5 11.04 Tf1 0 0 1



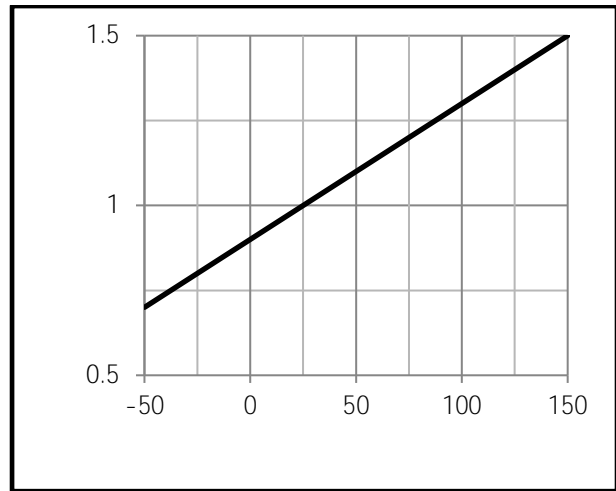
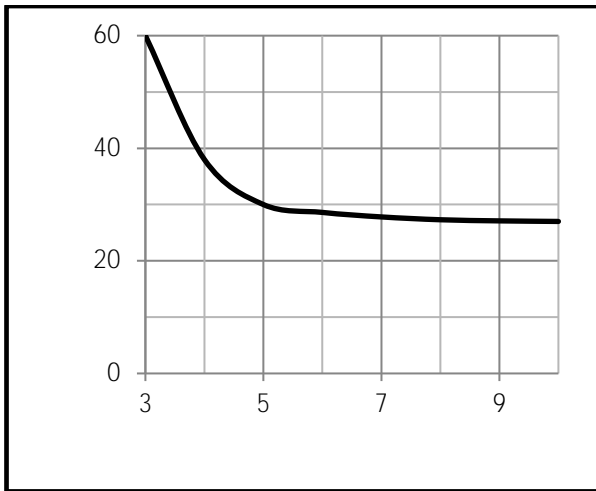


Fig.10 ID-Junction Temperature

Test Circuit

Fig.1 Switching Time Measurement Circuit

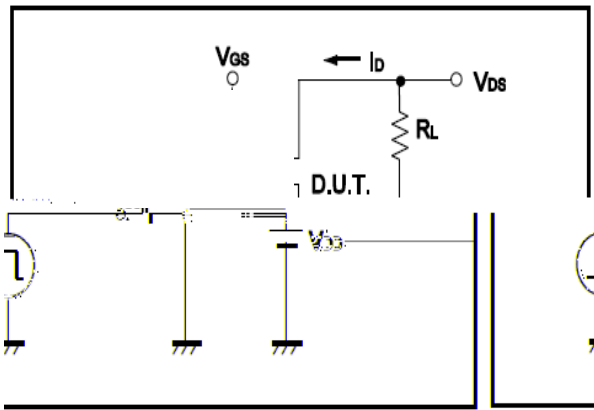


Fig.2 Gate Charge Waveform

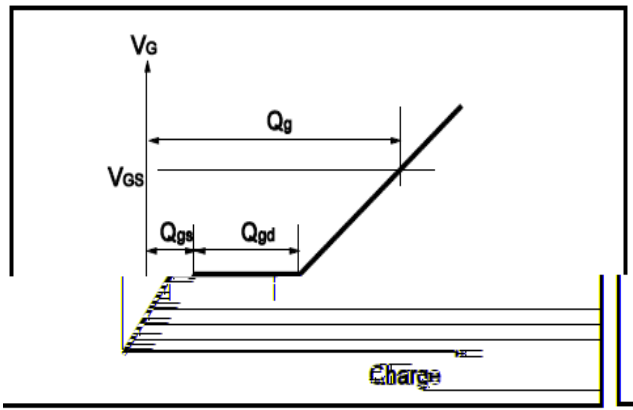


Fig.3 Switching Time Measurement Circuit

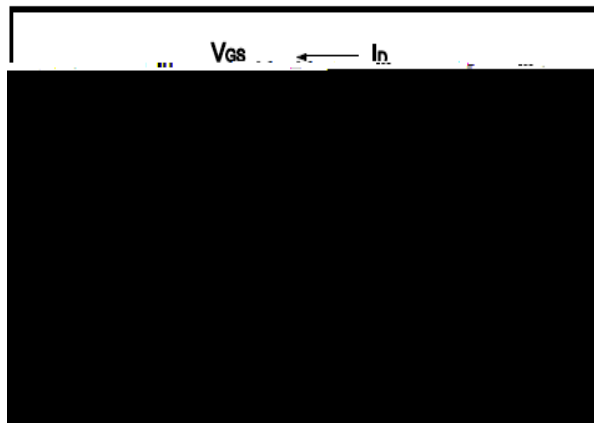


Fig.4 Gate Charge Waveform

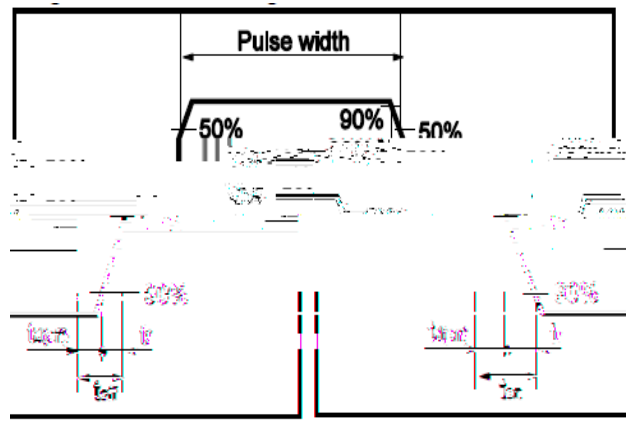


Fig.5 Avalanche Measurement Circuit

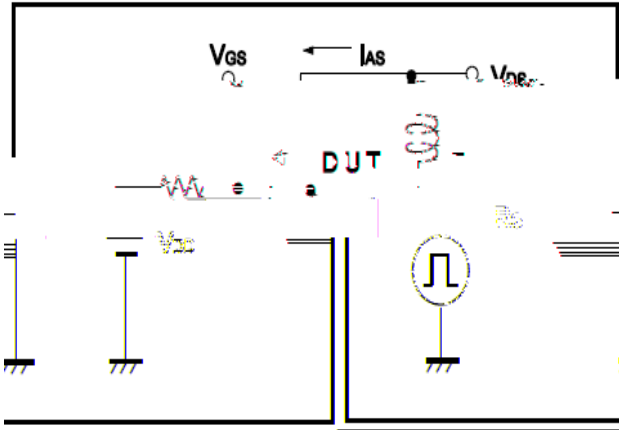
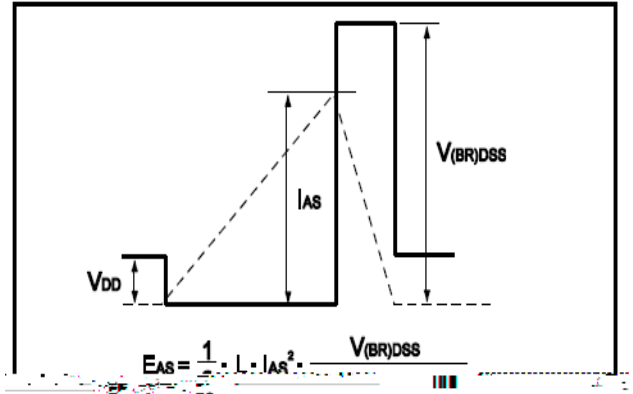


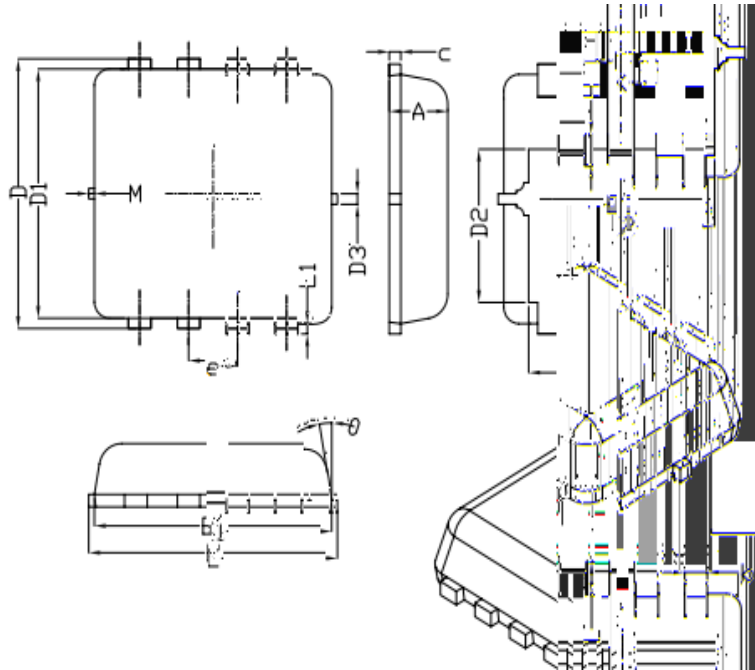
Fig.6 Avalanche Waveform





Dimensions DFN3x3

Unit mm



SYMBOL	DIMENSIONAL REQMTS		
	MIN	NOM	MAX
A	0.70	0.75	0.80
B	0.35	0.25	0.25
C	0.15	0.25	0.25
D	2.30	2.30	2.30
D1	0.30	0.30	0.30
D2	0.30	0.30	0.30
D3	0.30	0.30	0.30
L1	0.30	0.30	0.30
L2	0.30	0.30	0.30
L	0.30	0.40	0.50
H	0.30	0.39	0.50
LL	---	0.135	---
M	---	0.65 BSC	---
Not specified	---	---	---