



N Channel Absolute Maximum Ratings T



Gate Resistance	Rg	f = 1MHz		1.5		
Input capacitance	Ciss	f = 1MHz V _{DS} =25V	-	280	-	pF
Output capacitance	Coss		-	46	-	
Reverse transfer capacitance	Crss		-	25	-	
Total gate charge	Qg	V _{DD} = 25V I _D = 5A V _{GS} = 10V	-	5.3	-	nC
Gate - Source charge	Qgs		-	1.4	-	
Gate - Drain charge	Qgd		-	0.8	-	

P Channel Electronic Characteristics

Parameter	Symbol	Condition	Min.	Typ
-----------	--------	-----------	------	-----

P Channel characteristics curve

Fig.1 Power Dissipation Derating Curve

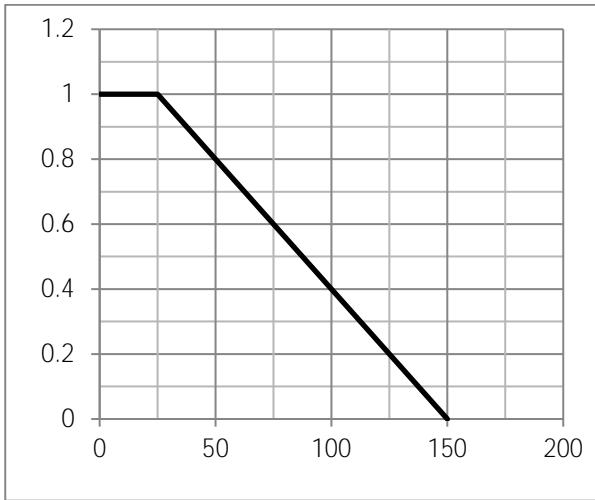


Fig.2 Typical output Characteristics

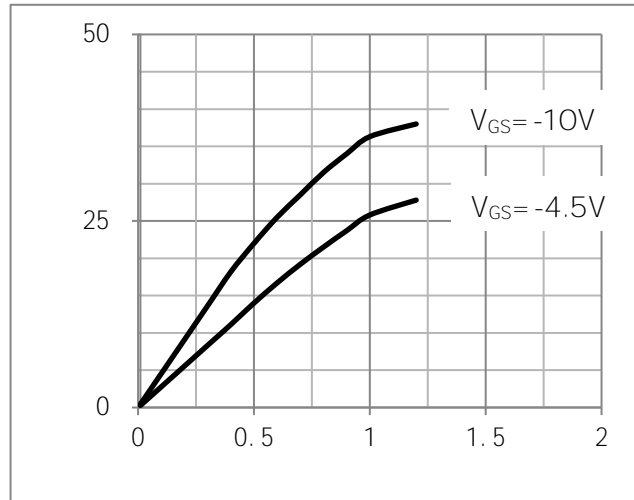


Fig.3 Threshold Voltage V.S Junction Temperature

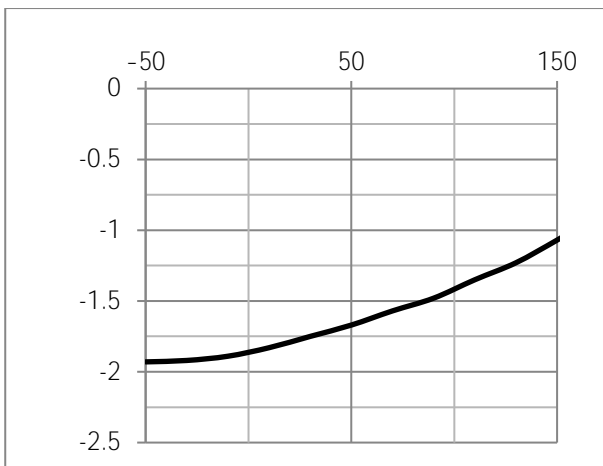


Fig.4 Resistance V.S Drain Current

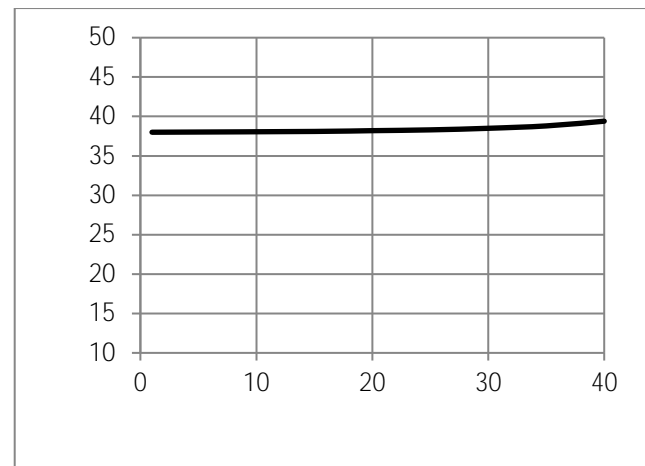


Fig.5 On-Resistance VSGate Source Voltage

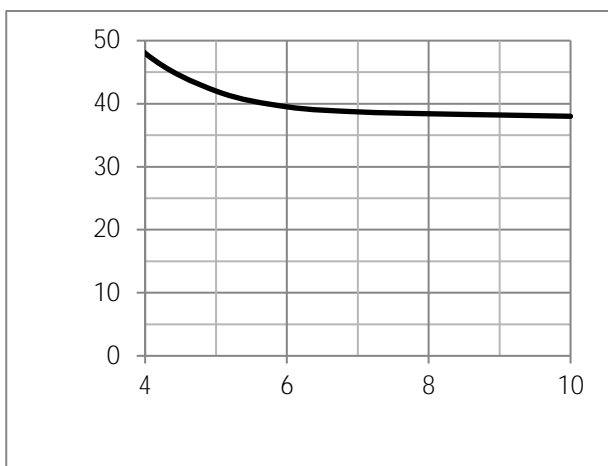
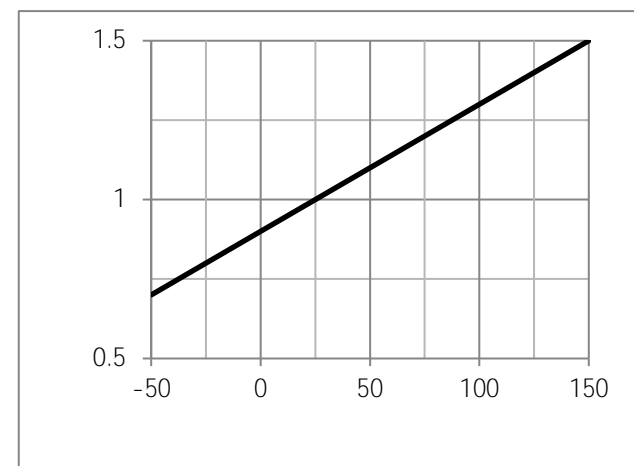


Fig.6 On-Resistance V.S Junction Temperature



Test Circuit

Fig.1 Switching Time Measurement Circuit

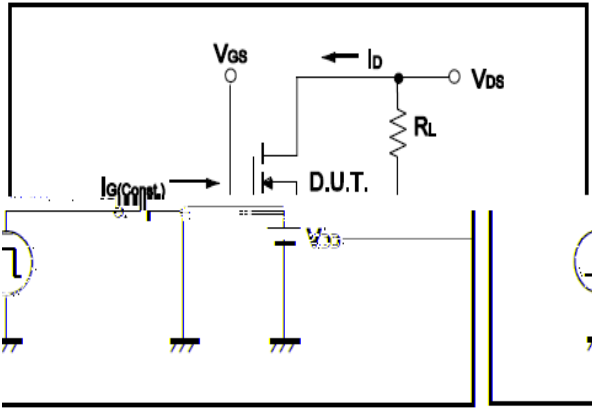


Fig.2 Gate Charge Waveform

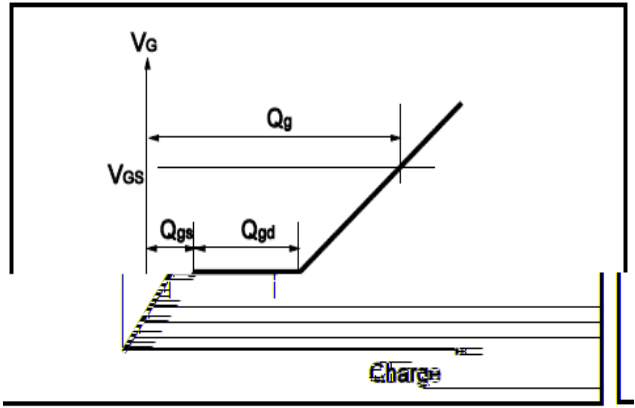


Fig.3 Switching Time Measurement Circuit

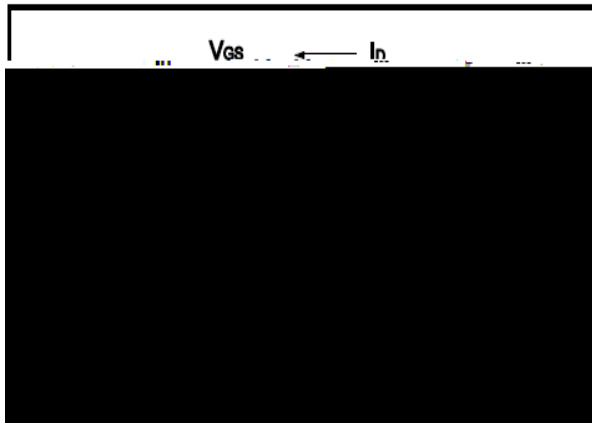


Fig.4 Gate Charge Waveform

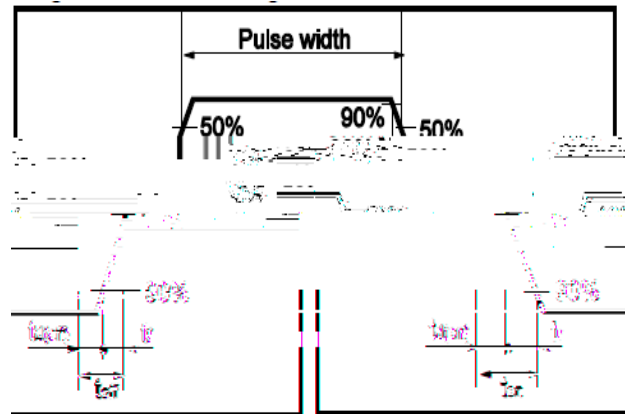


Fig.5 Avalanche Measurement Circuit

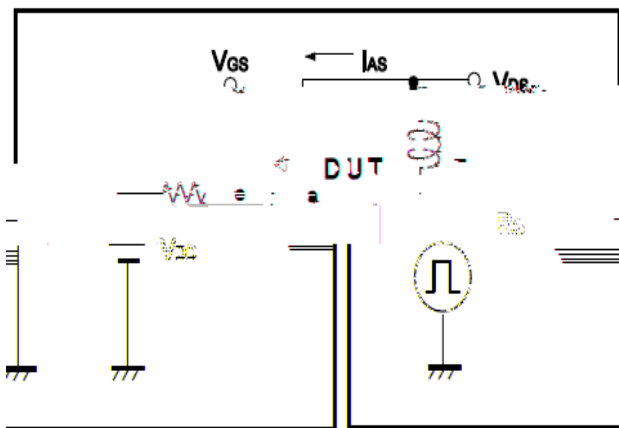


Fig.6 Avalanche Waveform

