



Ordering Information:

Absolute Maximum Ratings $T_C = 25$

| Parameter | Symbol | Rating | Unit |
|--------------------------------|---------------|------------|------|
| Drain-Source Voltage | V_{DS} | 30 | V |
| Gate-Source Voltage | V_{GS} | ± 20 | V |
| Continuous Drain Current | $I_D@T_C=25$ | 22 | A |
| | $I_D@T_C=75$ | 16.7 | A |
| | $I_D@T_C=100$ | 13.8 | A |
| Pulsed Drain Current | I_{DM} | 66 | A |
| Total Power Dissipation | $P_D@T_C=25$ | 4.0 | W |
| Total Power Dissipation | $P_D@T_A=25$ | 0.75 | W |
| Operating Junction Temperature | T_J | -55 to 150 | |
| Storage Temperature | T | | |



Thermal resistance

| Parameter | Symbol | Min. | Typ. | Max. | Unit |
|-------------------------------------|--------|------|------|------|------|
| Thermal resistance, junction - case | | | | | |



Fig.

Fig.7 Switching Time Measurement Circuit

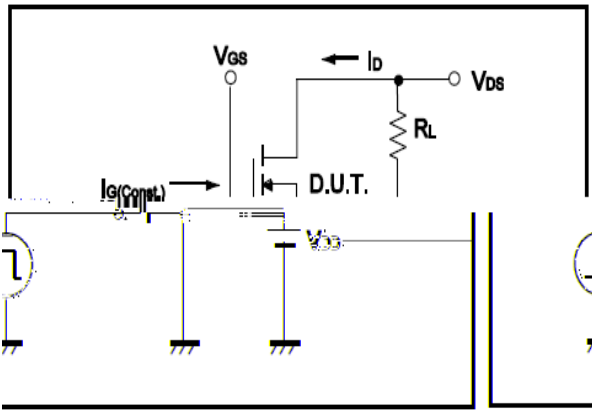


Fig.8 Gate Charge Waveform

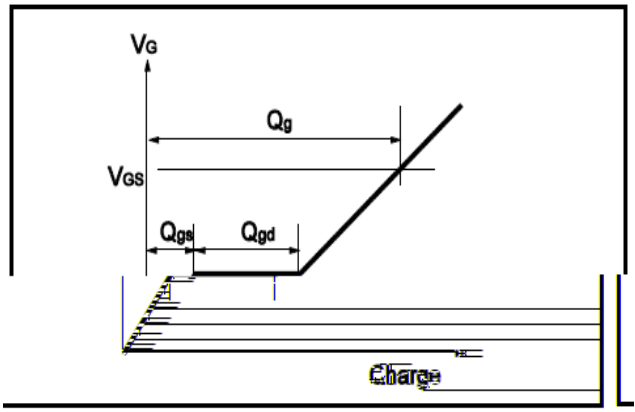


Fig.9 Switching Time Measurement Circuit

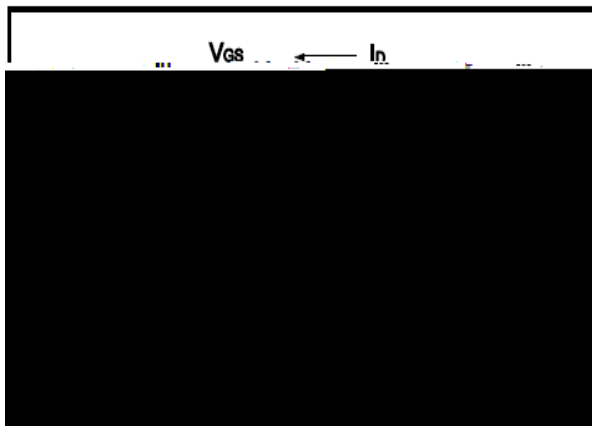


Fig.10 Gate Charge Waveform

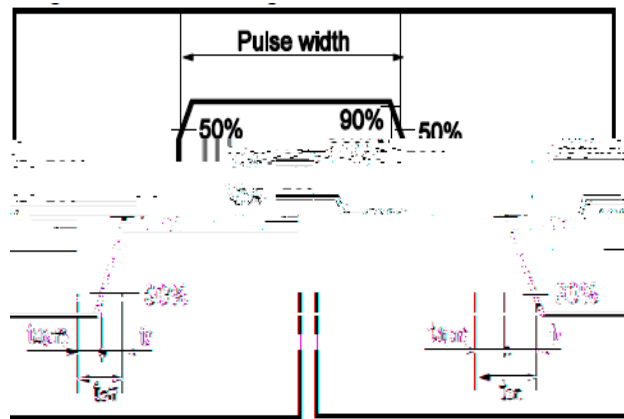


Fig.11 Avalanche Measurement Circuit

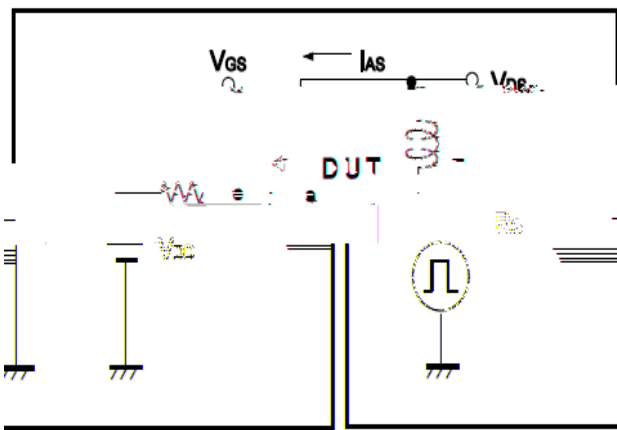
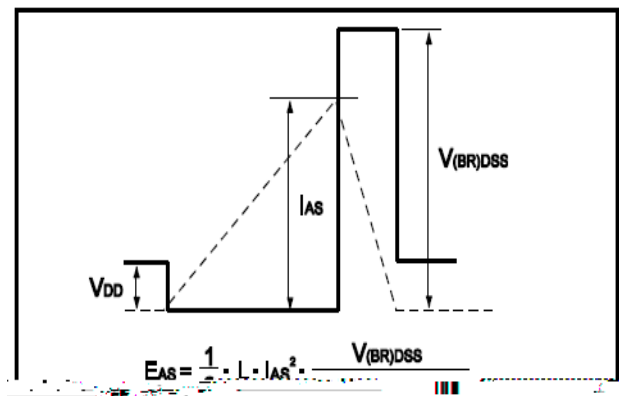


Fig.12 Avalanche Waveform





Dimensions(SOP8)

Unit: mm

| SYMBOL | min | TYP | max | SYMBOL | min | max |
|--------|------|-----|------|--------|------|------|
| A | 4.80 | | 5.25 | C | 1.30 | 1.75 |
| A1 | | | | | | |