



Fig.1 Gate-Charge Characteristics

Fig.2 Capacitance Characteristics

Fig.3 Power Dissipation

Fig.4 Typical output Characteristics

Fig.5 Threshold Voltage V.S Junction Temperature Fig.6

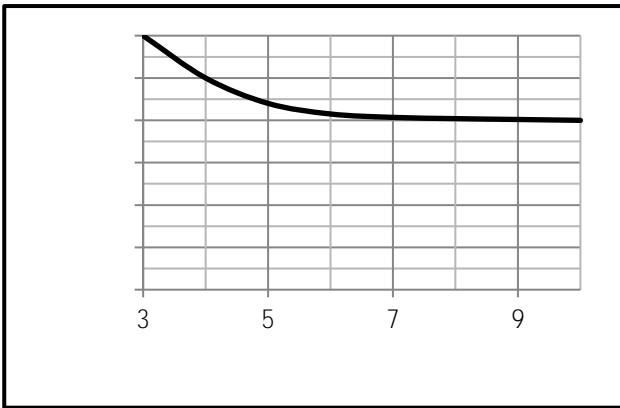


Fig.9 Switching Time Measurement Circuit

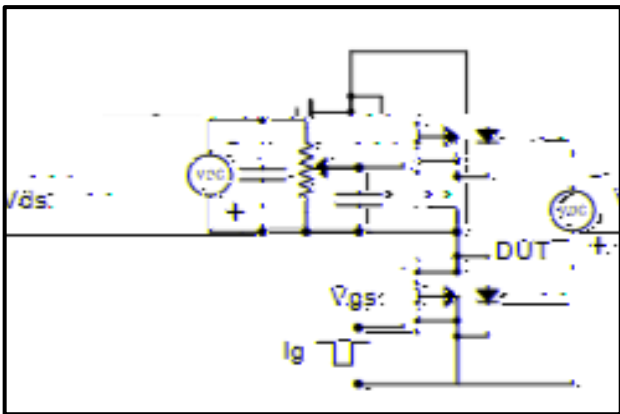


Fig.11 Switching Time Measurement Circuit

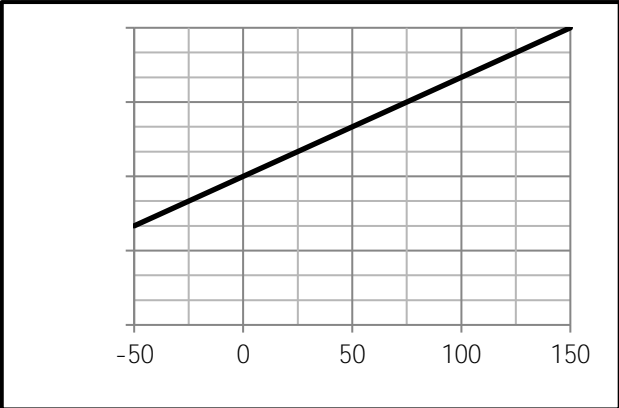
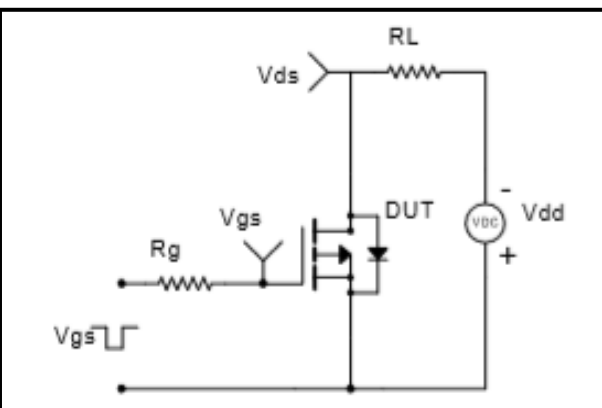


Fig.10 Gate Charge Waveform

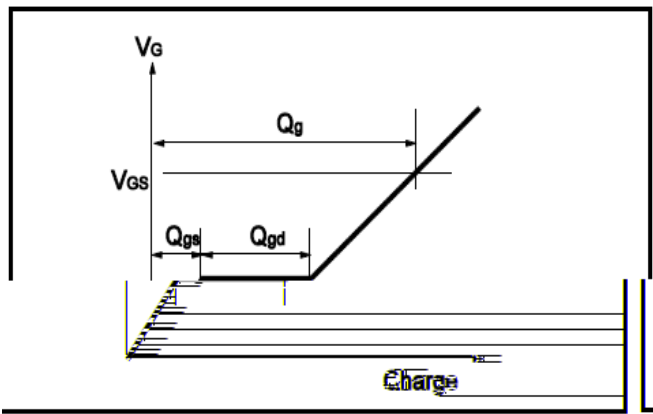
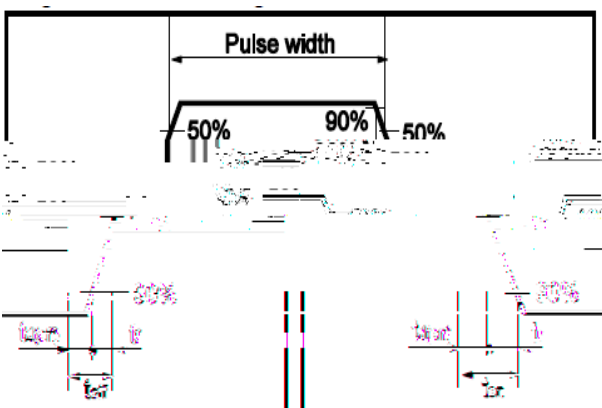


Fig.12 Gate Charge Waveform



Dimensions(SOP8)

Unit: mm

SYMBOL	min	TYP	max	SYMBOL	min		max
A	4.80		5.25	C	1.30		1.75
A1	0.37		0.49	C1	0.55		0.75
A2		1.27		C2	0.55		0.65
A3		0.41		C3	0.05		0.20
B	5.80		6.20	C4	0.10	0.20	0.23
B1	3.80		4.10	D		1.05	
B2		5.00		D1	0.40		0.62

